

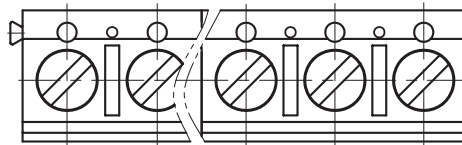
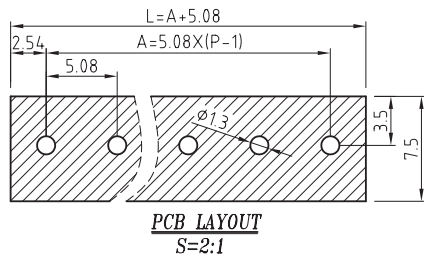


5.08mm Pitch

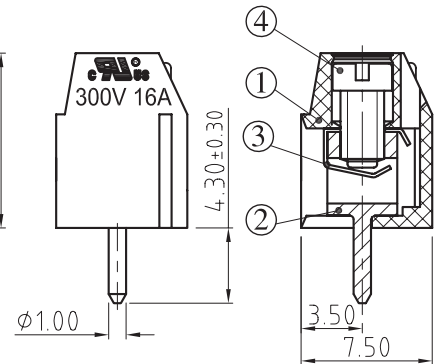
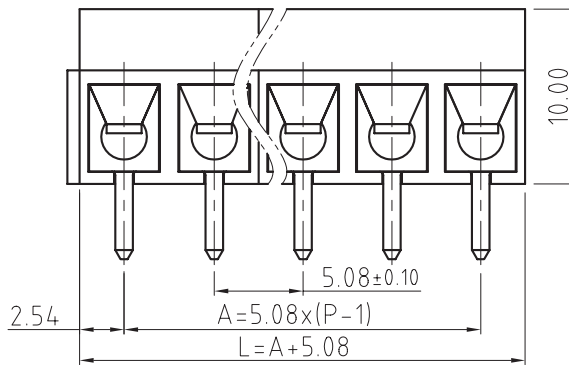
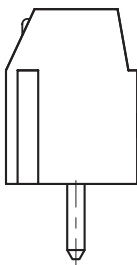


		
Rated Voltage	300V	250V
Rated Current	16A	
Insulation Withstand Voltage	AC 2000V / Min	
Insulation Resistance	500MΩ or More at DC500V	
Temperature Range	-40°C to +105°C	
Wire Range	14-22 AWG	2.5mm ²
Screw Torque	0.4Nm	

Units: mm



- ① Housing: PA66(V0)
- ② Solder Pin: Brass, Tin Plated
- ③ Spring Coil: Stainless
- ④ Screw: Steel, Zinc Plated



Part Numbering System:

101-508V - XXP - XXX

① ② ③

① Series

② Number of Poles: 02, 03, 04, ..., 24

③ Insulator Color: BLK = Black, BLU = Blue, GRN = Green

# Pin	2	3	4	5	6	7	8	9	10	11	12	13
Dim L	10.16	15.24	20.32	25.40	30.48	35.56	40.64	45.72	50.80	55.88	60.96	66.04
Dim A	5.08	10.16	15.24	20.32	25.40	30.48	35.56	40.64	45.72	50.80	55.88	60.96
# Pin	14	15	16	17	18	19	20	21	22	23	24	
Dim L	71.12	76.20	81.28	86.36	91.44	96.52	101.60	106.68	111.76	116.84	121.92	
Dim A	66.04	71.12	76.20	81.28	86.36	91.44	96.52	101.60	106.68	111.76	116.84	