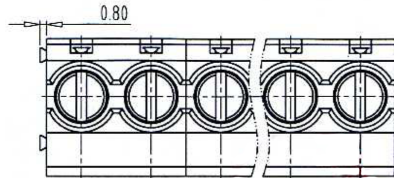
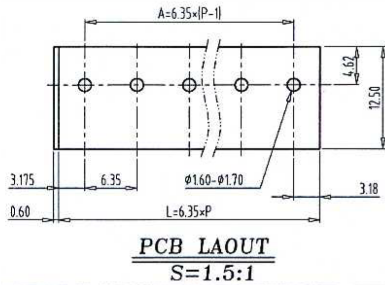


6.35mm Pitch

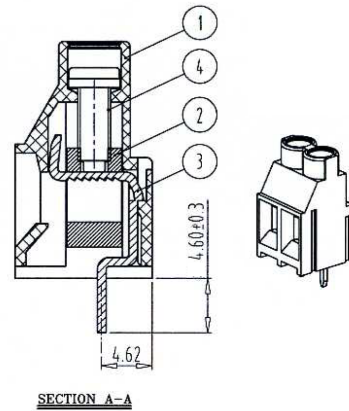
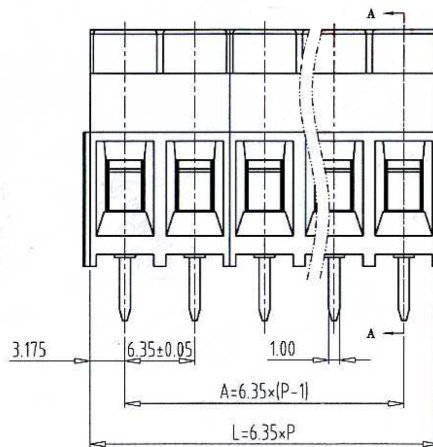
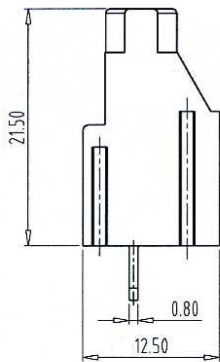


	<b>UL</b> <sup>®</sup> <b>US</b>	<b>IEC</b>
Rated Voltage	300V	450V
Rated Current	30A	32A
Insulation Withstand Voltage	AC 2500V / Min	
Insulation Resistance	≥ 500MΩ or More at DC500V	
Temperature Range	-40°C to +105°C	
Screw Torque	0.5N.m, M3.0	
Wire Range	26-10AWG	0.34-4.0mm <sup>2</sup>

Units: mm



- ① Housing: PA66(V0)
- ② Block: M4, Nickel Plated
- ③ Solder Pin: Copper Alloy, Tin Plated
- ④ Screw: Steel, M3/Zinc Plated



### Part Numbering System:

101-635V - XXP - XXX

①      ②      ③

- ① Series
- ② Number of Poles: 02, 03, 04, ..., 24
- ③ Insulator Color: GRN = Green, BLK = Black, ORG = Orange
- ④ Screw: S = Slot, C = Cross

# Pin	2	3	4	5	6	7	8	9	10	11	12	13
Dim L	12.7	19.05	25.4	31.75	38.1	44.45	50.8	57.15	63.5	69.85	76.2	82.55
Dim A	6.35	12.7	19.05	25.4	31.75	38.1	44.45	50.8	57.15	63.5	69.85	76.2
# Pin	14	15	16	17	18	19	20	21	22	23	24	
Dim L	88.9	95.25	101.6	107.95	114.3	120.65	127.0	133.35	139.7	146.05	152.4	
Dim A	82.55	88.9	92.25	101.6	107.95	114.3	120.65	127.0	133.35	139.7	146.05	