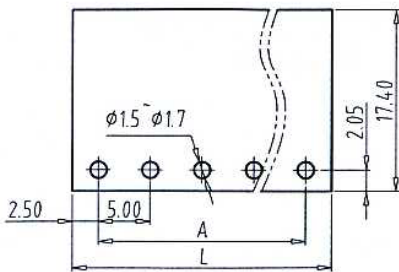


5.00mm Pitch

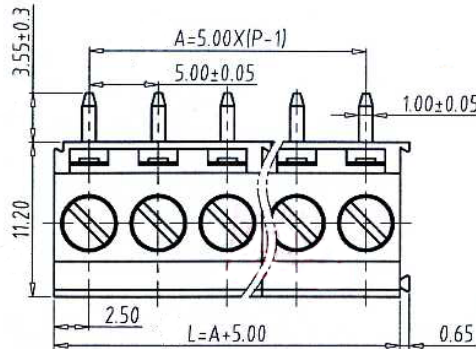


	UL [®] US
Rated Voltage	300V
Rated Current	20A
Insulation Withstand Voltage	AC 2000V / Min
Insulation Resistance	≥ 500MΩ or More at DC500V
Temperature Range	-40°C to +105°C
Wire Range	24-12 AWG
Screw Torque	0.5Nm

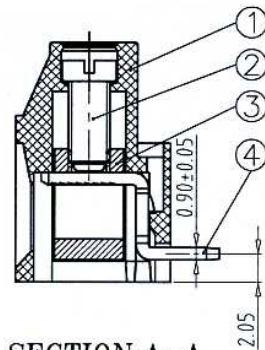
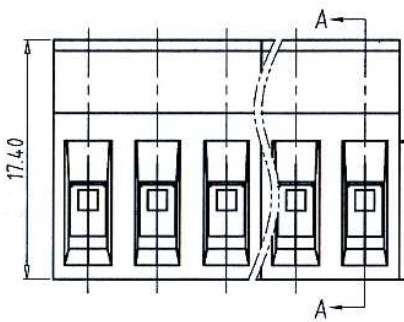
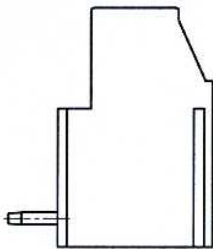
Units: mm



PCB LAYOUT
S=1.5:1



- ① Housing: PA66(UL94V0)
- ② Screw: Steel, M3/Zinc Plated
- ③ Block: Brass, Nickel Plated
- ④ Solder Pin: Brass, Tin Plated



Part Numbering System:

117-500R - XXP - XXX

① ② ③

- ① Series
- ② Number of Poles: 02, 03, 04, ..., 24
- ③ Insulator Color: GRN = Green, BLK = Black

# Pin	2	3	4	5	6	7	8	9	10	11	12	13
Dim L	10	15	20	25	30	35	40	45	50	55	60	65
Dim A	5	10	15	20	25	30	35	40	45	50	55	60
# Pin	14	15	16	17	18	19	20	21	22	23	24	
Dim L	70	75	80	85	90	95	100	105	110	115	120	
Dim A	65	70	75	80	85	90	95	100	105	110	115	