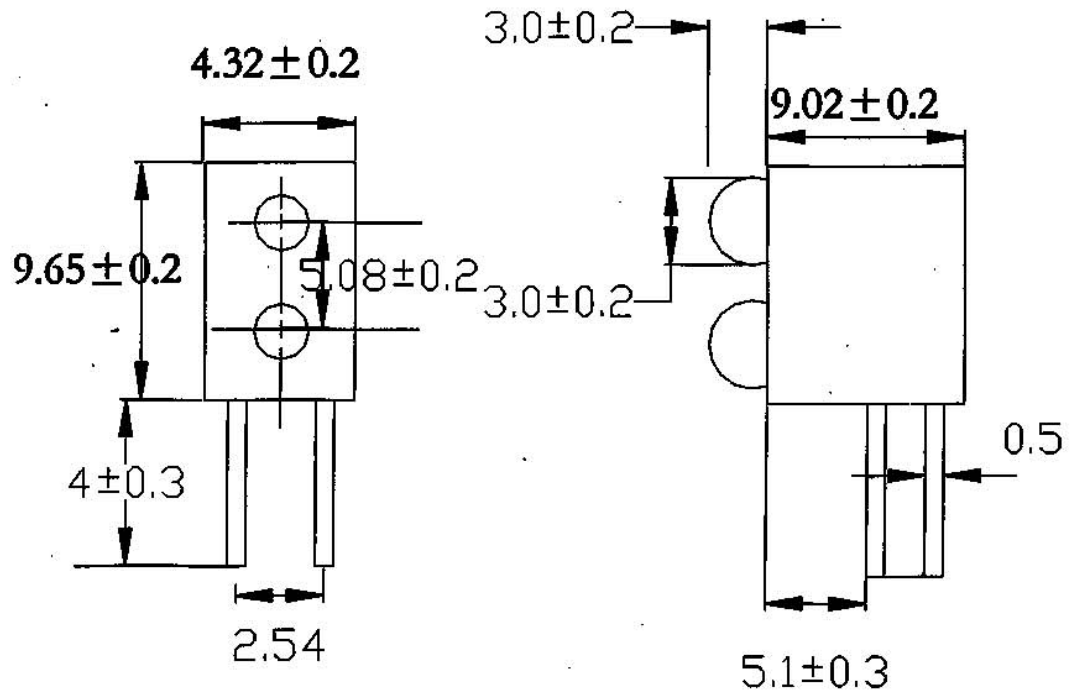


# EVER-LED

## ★ Package Dimensions



**NOTE:**

1. All dimensions are in millimeter.
2. Lead spacing is measured where the lead emerge from the package.

## ★ Selection Guide

Part NO.	Chip		Lens Color	Viewing Angle $2\theta$ 1/2(deg)
	Material	Emitted Color		
3-22N-CD43/H306				

# EVER-LED

**Part No: 3-22N-CD43/H306**

**★Absolute Maximum Ratings**

**(Ta=25°C)**

Parameter	Symbol	MAX. Rating	Unit
Power Dissipation	Pd	80	mW
Continuous Forward Current	IF	30	mA
Peak forward current (10 $\mu$ S Pulse)	IFM	100	mA
Reverse Voltage	VR	5.0	V
Operating Temperature	Topr	-40~+85	°C
Storage Temperature	Tstg	-40~+85	°C

Lead Soldering Temperature (1.6mm From Case Bottom 260°C For 5 SEC)

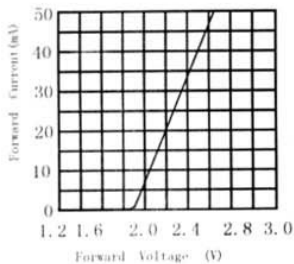
**★Electric-Optical Characteristics**

Parameter	Symbol	Test Condition	MIN	TYP	MAX	Unit
Forward Voltage	VF	IF=20mA		2.0	2.6	V
Reverse Voltage	VR	IR=10uA			5	V
Luminous Intensity	IV	IF=20mA		35		mcd
Peak Emission Wavelength	$\lambda P$	IF=20mA		565		nm
Spectrum Width Of Half Value	$\Delta \lambda$	IF=20mA		30		nm

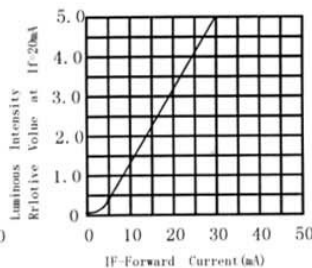
**★Characteristics Diagrams**

Green (GaP)

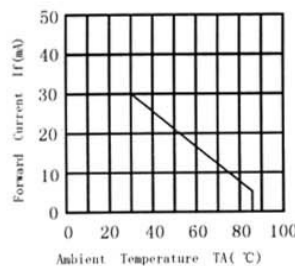
FORWARD CURRENT VS FORWARD VOLTAGE



LUMINOUS INTENSITY VS. FORWARD CURRENT



FORWARD CURRENT DERATING CURVE



LUMINOUS INTENSITY VS. AMBIENT TEMPERATURE

