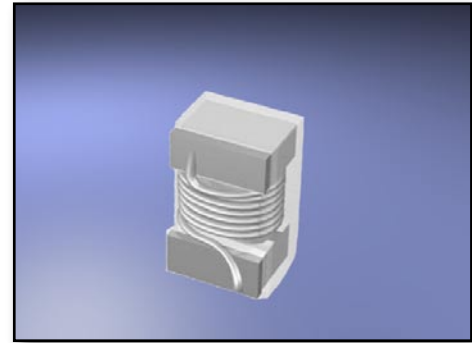


Features :

- Provides excellent Q values even at high frequencies
- Operating Temperature: -25°C to +125°C
- Electrical specifications at 25°C
- Packaging: Tape & Reel, 2000pcs / 7" (178mm) reels.
- Inductance Range: 2.2nH to 820nH
- Testing: Inductance and Q are tested on an HP4284A at specified frequency.
- Additional info available upon request



Part Number	Inductance (nH)	@ L Test Freq. (MHz)	Q Fact. (@ specified MHz)	SRF min (MHz)	DCR max (Ohms)	Rated DC (mA)
AX0805CS-020_*	2.2	250	80 @ 1500MHz	6000	0.06	600
AX0805CS-030_*	3.3	250	50 @ 1500MHz	7900	0.08	600
AX0805CS-050_*	5.6	250	65 @ 1000MHz	5500	0.08	600
AX0805CS-060_*	6.8	250	50 @ 1000MHz	5500	0.11	600
AX0805CS-070_*	7.5	250	50 @ 1000MHz	4500	0.14	600
AX0805CS-080_*	8.2	250	50 @ 1000MHz	4700	0.12	600
AX0805CS-100_	10	250	60 @ 500MHz	4200	0.10	600
AX0805CS-120_	12	250	50 @ 500MHz	4000	0.15	600
AX0805CS-150_	15	250	50 @ 500MHz	3400	0.17	600
AX0805CS-180_	18	250	50 @ 500MHz	3300	0.20	600
AX0805CS-220_	22	250	55 @ 500MHz	2600	0.22	500
AX0805CS-240_	24	250	50 @ 500MHz	2000	0.22	500
AX0805CS-270_	27	250	55 @ 500MHz	2500	0.25	500
AX0805CS-330_	33	250	60 @ 500MHz	2050	0.27	500
AX0805CS-360_	36	250	55 @ 500MHz	1700	0.27	500
AX0805CS-390_	39	250	60 @ 500MHz	2000	0.29	500
AX0805CS-430_	43	200	60 @ 500MHz	1650	0.34	500
AX0805CS-470_	47	200	60 @ 500MHz	1650	0.31	500
AX0805CS-560_	56	200	60 @ 500MHz	1550	0.34	500
AX0805CS-680_	68	200	60 @ 500MHz	1450	0.38	500
AX0805CS-820_	82	150	65 @ 500MHz	1300	0.42	400
AX0805CS-910_	91	150	65 @ 500MHz	1200	0.48	400
AX0805CS-101_	100	150	65 @ 500MHz	1200	0.46	400
AX0805CS-111_	110	150	50 @ 250MHz	1000	0.48	400
AX0805CS-121_	120	150	50 @ 250MHz	1100	0.51	400
AX0805CS-151_	150	100	50 @ 250MHz	920	0.56	400
AX0805CS-181_	180	100	50 @ 250MHz	870	0.64	400

Tolerance Code G= ±2%, J= ±5%, K= ±10%, M= ±20%

* = J, K or M only

Part Number	Inductance (nH)	@ L Test Freq. (MHz)	Q Fact. (@ specified MHz)	SRF min (MHz)	DCR max (Ohms)	Rated DC (mA)
AX0805CS-221_	220	100	50 @ 250MHz	850	0.70	400
AX0805CS-241_	240	100	44 @ 250MHz	690	1.00	350
AX0805CS-271_	270	100	48 @ 250MHz	650	1.00	350
AX0805CS-331_	330	100	48 @ 250MHz	600	1.40	310
AX0805CS-391_	390	100	48 @ 250MHz	560	1.50	290
AX0805CS-471_	470	50	33 @ 100MHz	375	1.76	250
AX0805CS-561_	560	25	23 @ 50MHz	340	1.90	230
AX0805CS-681_	680	25	23 @ 50MHz	188	2.20	190
AX0805CS-821_	820	25	23 @ 50MHz	215	2.35	180

Tolerance Code G = ±2%, J = ±5%, K = ±10%, M = ±20%

Dimensions :
