

Schottky Barrier Diode

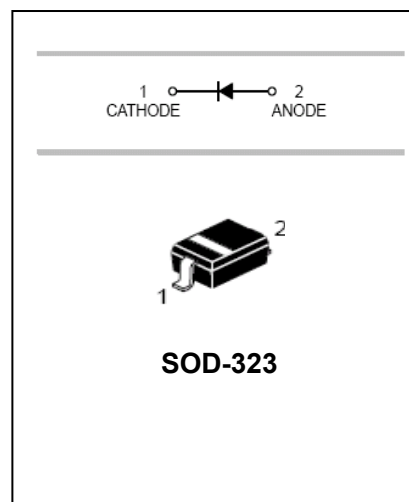
B0520LWS/B0530WS/B0540WS

FEATURES

- Low forward voltage drop.
- Guard ring construction for transient Protection.
- High conductance.



Lead-free



APPLICATIONS

- surface mount schottky barrier rectifier.

ORDERING INFORMATION

Type No.	Marking	Package Code
B0520LWS	SD	SOD-323
B0530WS	SE	SOD-323
B0540WS	SF	SOD-323

MAXIMUM RATING @ Ta=25°C unless otherwise specified

Characteristic	Symbol	B0520LWS	B0530WS	B0540WS	Unit
Peak Repetitive Reverse Voltage	V_{RRM}				
Working Peak Reverse Voltage	V_{RWM}	20	30	40	V
DC Reverse Voltage	V_R				
RMS Reverse Voltage	$V_{R(RMS)}$	14	21	28	V
Average Rectified Output Current	I_O	0.5			A
Non-Repetitive Peak Forward Surge Current 8.3ms single half sine-wave superimposed on rated load	I_{FSM}	2			A
Power Dissipation	P_d	235			mW
Typical Thermal Resistance Junction to Ambient	$R_{\theta JA}$	426			°C/W
Operating and Storage Temperature Range	T_j, T_{stg}	-55 to +125			°C

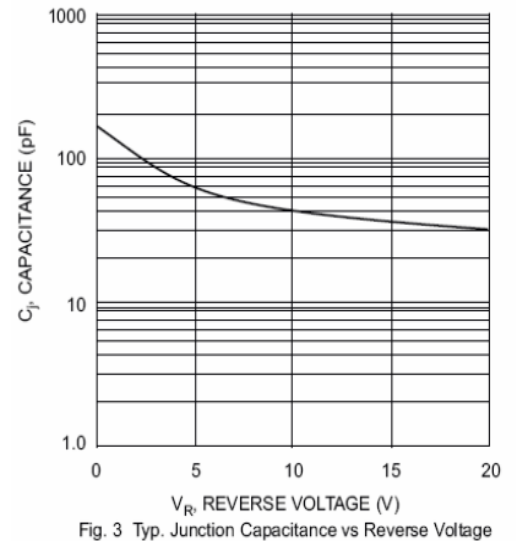
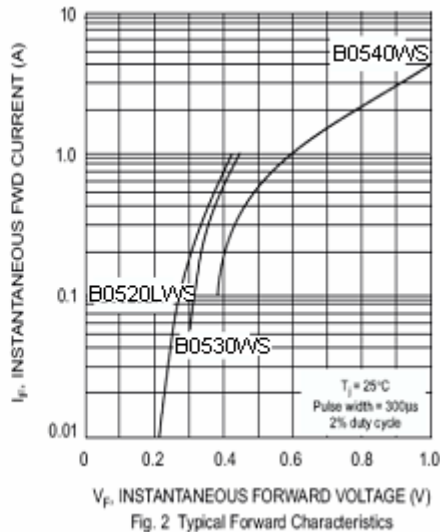
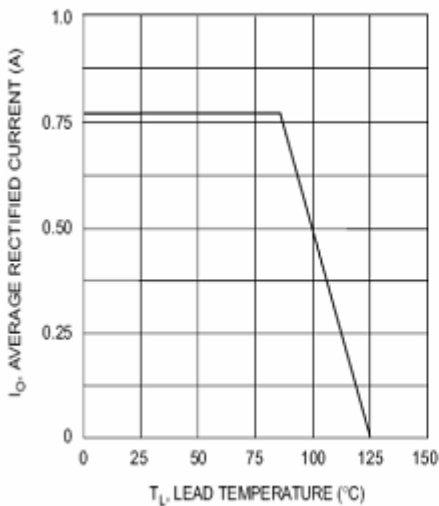
Schottky Barrier Diode

B0520LWS/B0530WS/B0540WS

ELECTRICAL CHARACTERISTICS @ Ta=25°C unless otherwise specified

Characteristic	Symbol	B0520LW	B0530W	B0540W	Unit	Test Conditions
Minimum Reverse Breakdown Voltage	$V_{(BR)R}$	20 - -	- 30 -	- - 40	V	$I_R = 250\mu A$ $I_R = 130\mu A$ $I_R = 20\mu A$
Maximum Forward Voltage Drop	V_{FM}	0.300 0.385 -	0.375 0.430 -	- 0.510 0.620	V	$I_F = 0.1A$, $I_F = 0.5A$, $I_F = 1.0A$,
Maximum Leakage Current	I_{RM}	75 - 250 - -	- 20 - 130 -	- - 10 - 20	μA	$V_R = 10V$, $V_R = 15V$, $V_R = 20V$, $V_R = 30V$, $V_R = 40V$,
Reverse Recovery Time	t_{rr}	4			ns	$I_F = I_R = 10mA$ $I_{rr} = 0.1I_R, R_L = 100\Omega$
Junction Capacitance	C_J	170			pF	$f = 1MHz, V_R = 0V DC$

TYPICAL CHARACTERISTICS @ Ta=25°C unless otherwise specified



Schottky Barrier Diode

B0520LWS/B0530WS/B0540WS

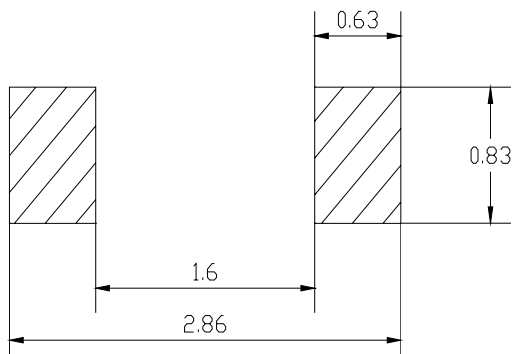
PACKAGE OUTLINE

Plastic surface mounted package

SOD-323

SOD-323		
Dim	Min	Max
A	1.275	1.325
B	1.675	1.725
C	0.9 Typical	
D	0.30 Typical	
E	0.27	0.37
H	0.02	0.1
J	0.1 Typical	
K	2.6	2.7
All Dimensions in mm		

SOLDERING FOOTPRINT



Unit : mm

PACKAGE INFORMATION

Device	Package	Shipping
B0520LWS/B0530WS/B0540WS	SOD-323	3000/Tape&Reel