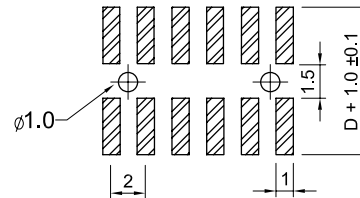


Specifications

Current Rating: 2A
 Insulation Resistance: 1000M ohms / min
 Contact Resistance: 20m ohms max.
 Dielectric Withstanding: AC 500V
 Temperature Range: P.B.T.: -40°C ~ +105°C
 Nylon-6T: -40°C ~ +125°C
 Contact Material: Brass
 Insulator Material: Polyester, UL94V-0 P.B.T., or Nylon-6T
 Contact Plated: See options
 Standard: Full Gold Flash

Recommended P.C. Board SMD Layout

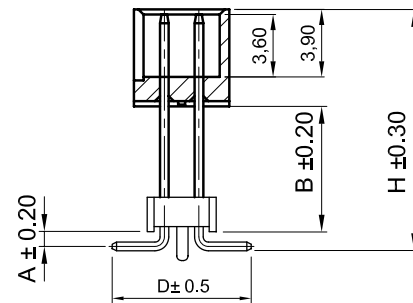
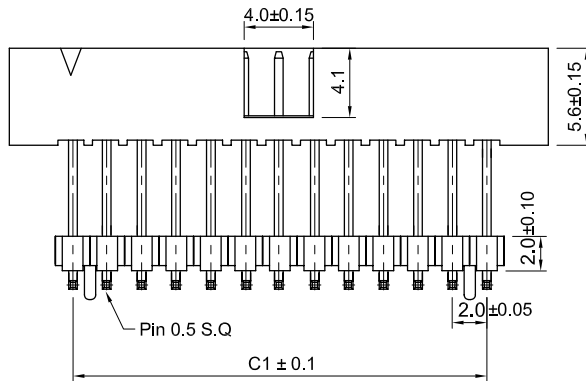
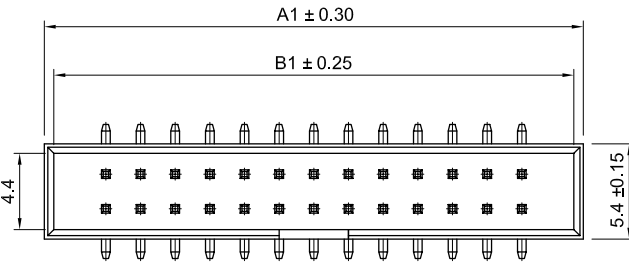


Part Numbering System

BH2D5620C-SD - XX - XX - X X X X X

Series — BH2D5620C-SD
No. of Pins — XX
Terminal Dimensions: — XX = (A = ..., B = ..., D = ...)
 *XX to be determined based on dimensions A, B, D
Post Option: — X
 Nil = w/o Alignment Pin
 A = with Alignment Pin
Contact Plating — X
Insulator Material:
 Nil = P.B.T. (Standard)
 N = High Temperature Nylon-6T
Packing Method:
 B = Tube
 T = Tape & Reel
Cap Options:
 Nil = No Cap
 P = Plastic

Example: BH2D5620C-10-XX-AGPTN
 with 10pins, Code XX= (A=XXmm, B=XXmm, D=XXmm)



Contacts	Dimension mm			Contacts	Dimension mm		
	A1	B1	C1		A1	B1	C1
06	13.20	12.10	4.00	30	37.20	36.10	28.00
08	15.20	14.10	6.00	34	41.20	40.10	32.00
10	17.20	16.10	8.00	40	47.20	46.10	38.00
12	19.20	18.10	10.00	44	51.20	50.10	42.00
14	21.20	20.10	12.00	50	57.20	56.10	48.00
16	23.20	22.10	14.00	60	67.20	66.10	58.00
20	27.20	26.10	18.00	64	71.20	70.10	62.00
24	31.20	30.10	22.00	68	75.20	74.10	66.00
26	33.20	32.10	24.00				

* Contact Plating Option	Full Gold Plating	Gold Plated On Contact Area Tin Plated on Solder Area	Full Tin Plating
G : Gold Flash G10: Gold 10u" G15: Gold 15u" G30: Gold 30u"	S: Gold Flash S10: Gold 10u" S15: Gold 15u" S30: Gold 30u"	T: Tin 100u"	

General Tolerance	
X. ± 0.50	X.° ± 5°
.X ± 0.20	.X° ± 2°
.XX ± 0.10	.XX° ± 1°
Units : mm	