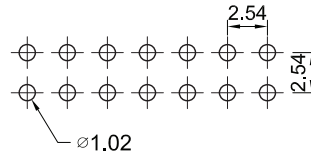
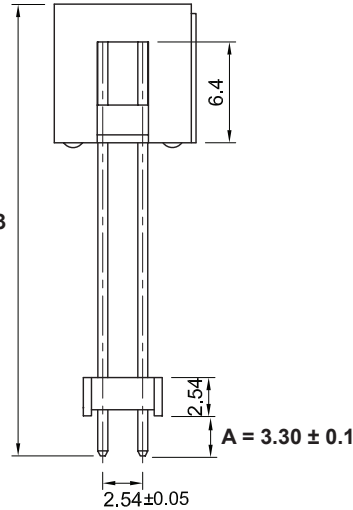


Recommended P.C. Board Hole Layout



H = 23.62 ± 0.3



Specifications

- Current Rating: 3A
- Insulation Resistance: 1000M ohms / min
- Contact Resistance: 20m ohms max.
- Dielectric Withstanding: AC 600V
- Temperature Range: P.B.T.: -40°C ~ +105°C
Nylon-6T: -40°C ~ +125°C
- Contact Material: Brass
- Insulator Material: Polyester, UL94V-0 P.B.T., or Nylon-6T
- Contact Plated: See options
- Standard: Full Gold Flash

Part Numbering System

BHD8825-SD - XX - A-H - X X

Series
No. of Pins

Insulator Material:
Nil = P.B.T. (Standard)
N = High Temperature Nylon-6T

Contact Plating

Terminal Dimensions Required

A(Tail Length) = ... , H(Overall Length) = ...

Example: BHD8825-SD-10-3.30-23.62-G
with 10pins, A= 3.30, H= 23.62

Contacts	Dimension mm			Contacts	Dimension mm		
	L	D	P		L	D	P
10	20.32	17.92	10.16	30	45.72	43.32	35.56
14	25.40	23.00	15.24	34	50.80	48.40	40.64
16	27.94	25.54	17.78	40	58.42	56.02	48.26
20	33.02	30.62	22.86	50	71.12	68.72	60.96
24	38.10	35.70	27.94	60	83.82	81.42	73.66
26	40.64	38.24	30.48	64	88.90	86.50	78.74

* Contact Plating Option	Full Gold Plating	Gold Plated On Contact Area Tin Plated on Solder Area	Full Tin Plating
	G : Gold Flash G10: Gold 10u" G15: Gold 15u" G30: Gold 30u"	S: Gold Flash S10: Gold 10u" S15:Gold 15u" S30: Gold 30u"	T: Tin 100u"

General Tolerance	
X. ± 0.50	X.° ± 5°
.X ± 0.20	.X° ± 2°
.XX ± 0.10	.XX° ± 1°
Units : mm	