

# Pro Components

## CCG SERIES CARD GUIDE

### SPECIFICATIONS

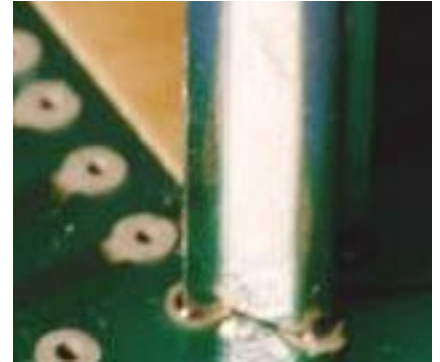
Material: #260 Brass

Finish: Bright Electro-Tin

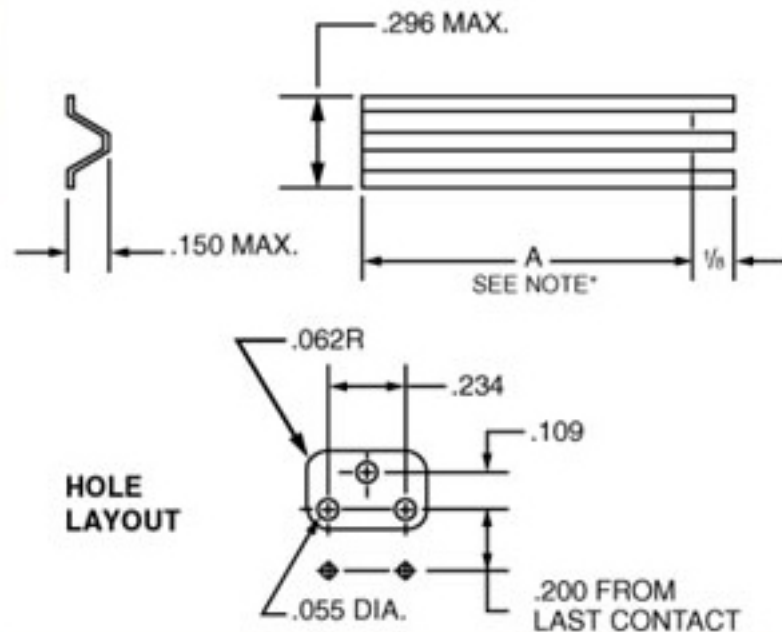
Mounting Holes: 1.397mm (0.055") Diameter

Maximum Current: 10 Amps.

Retention Force: 900 grams/pair, typical



### DIMENSIONS:(UNITS: INCHES)



\* Note: "A" dimension may be specified from 0.25" minimum to 1.375" maximum in 0.125" increments

### PART NUMBER:

**CCG-1.375**  
Series — Length: (A)  
Specify length for A  
0.250" - 1.375" by 0.125" increments