

# Pro Components

## CMJ-P01 SERIES PC MOUNTED PREFORM JUMPERS



### SPECIFICATIONS:

Material: 0.508mm(0.020") Diameter. 70/30 Brass Wire.

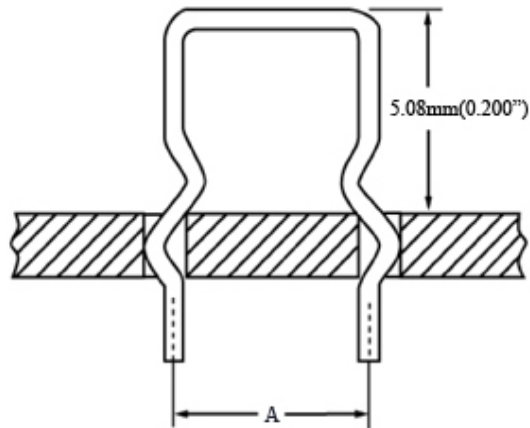
Finish: Bright, Electro-Tin 100 Millionths Minimum.

Mounting: Two 1.016mm  $\pm$  0.0762mm (0.040"  $\pm$  0.003")  
Diameter Plated Through Holes.

Maximum Current: 2 Amps.



### DIMENSIONS:



Part Number	Lead Spacing = "A"
CMJ-P01-100	2.54mm(0.100")
CMJ-P01-200	5.08mm(0.200")
CMJ-P01-250	6.35mm(0.250")
CMJ-P01-300	7.62mm(0.300")