



CPW, SQM, SQT, SQZA, SQZB, SQHG, SQH, SPS

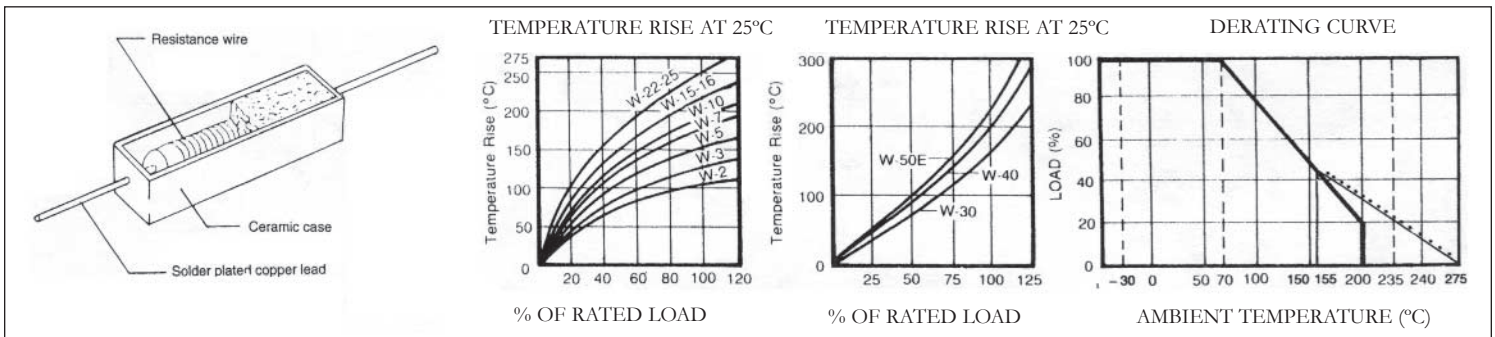
(MIL Type LRW)

INTRODUCTION

1. As applying non-flammable materials, even if over current flows, there will be no self-ignition occurring.
2. Completely insulated character suitable for printed circuit board mounting.
3. Precise resistance value with long life proof.
4. Super heat dissipation; small linear temperature coefficient.
5. Instant overload capability; low noise figure and without annual shift on resistance value.
6. For high resistance value, the winding core is replaced by Metal Oxide Film cutting core (MO).

FEATURES

- Exceptionally small and sturdy; mechanically safe. MEGASTAR-OHM resistors have excellent electrical characteristics.
- The materials used and the construction techniques ensure excellent flame resistance, arc resistance and moisture resistance as well as self-extinguishing capabilities. They will withstand the most rigorous loading test.
- As resistors in radio and television receivers, the hazardous conditions of smoking and redheat can be completely prevented by the proper choice of power resistors.
- Tolerances of 5%, and 10% are standard.
- Applicable specifications: EIA RS-344 and EIA RC-649.
- Non-inductive types available on all series.



Characteristics	Condition	Spec.
Resistance Temp. coefficient	-55°C ~ 155°C	±300 ppm/°C
Short-time Overload	5 times of rated wattage for 5 seconds	±2%
Rate Load	Rate watt 30 min.	±1%
Voltage Durability	1000V AC 1 min.	not changed
Insulation Resistance	500V Megger	500MΩ
Temp. Cycle	-30°C ~ 85°C 5 cycles	±1%
Load Life	70°C on-off cycle 1,000 hrs.	±5%
Moisture-proof Load Life	40°C 95% RH on-off cycle 500 hrs.	±3%
Incombustibility	16 times of rated wattage for 5 min.	not flamed

Part Numbering system

CPW-2

5%

22R0

B

Type / Rated Power	
CPW	2W ↓ 40W
SQM	
SQT	
SQZA	
SQZB	
SQHG	
SQH	
SPS	

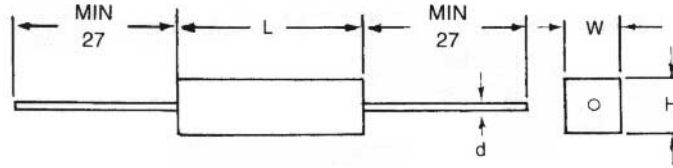
Resistance tolerance
±10%
±5%
±2%
±1%

Nominal Resistance		
Code	Description	
0R01	0.01	OHMs
2R2	2.2	OHMs
22R	22	OHMs
100R	100	OHMs
2K	2x10 ³	OHMs
Special value upon request		

Packaging	
Code	Description
Nil	Bulk
NI	Bulk & Non-inductive



CPW

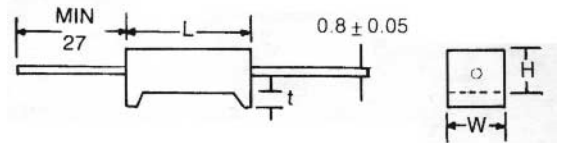


Type	Power Rating	Dimensions (mm)				Resistance Range ()		Max Working Voltage
		$L \pm 0.5$	$W \pm 0.5$	$H \pm 0.5$	$d \pm 0.03$	Wire Wound	MO	
CPW-2	2W	18.0	7.0	7.0	0.65	0.1 ~120	120~20K	150V
CPW-3	3W	22.0	8.0	8.0	0.8	0.1 ~150	150~33K	350V
CPW-5	5W	22.0	9.5	9.0	0.8	0.1 ~200	201~50K	350V
CPW-7	7W	35.0	9.5	9.0	0.8	0.1 ~500	501~50K	500V
CPW-10	10W	48.0	9.5	9.0	0.8	0.1 ~500	501~50K	750V
CPW-15	15W	48.0	12.5	12.0	0.8	0.5 ~1K	1K~150K	1000V
CPW-20	20W	60.0	14.0	13.5	0.8	0.5 ~1K	1K~150K	1000V

NOTE: Non-inductive type up to 27 .

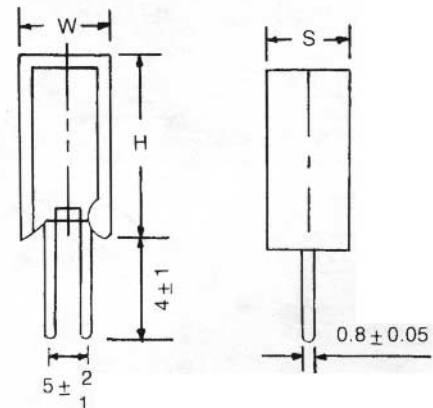
Type	Power Rating	Dimensions (mm)				Resistance Range ()	
		$W \pm 1$	$H \pm 1$	$L \pm 1.5$	$t \pm 0.5$	Wire Wound	MO
SQT-5	5W	10	9	22	1.5	0.1 ~50	51~50K
SQT-7	7W	10	9	35	3.0	0.1 ~500	501~47K
SQT-10	10W	10	9	48	3.0	0.1 ~500	501~47K

SQT



SQM

Type	Power Rating	Dimensions (mm)			Resistance Range ()	
		$H \pm 1.5$	$W \pm 1$	$S \pm 1$	Wire Wound	MO
SQM-2	2W	20	11	7.5	0.1 ~20	20~47K
SQM-3	3W	25	12	9	0.1 ~50	50~47K
SQM-5	5W	25	13	9	0.1 ~50	100~47K
SQM-7	7W	39	13	9	0.1 ~500	501~47K
SQM-10	10W	51	13	9	0.1 ~500	501~47K
SQM-10S	10WS	35	16	12	0.1 ~500	501~47K

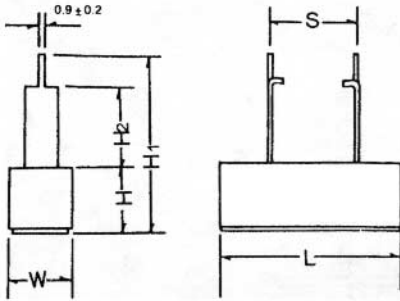


NOTE: Values lower than 0.1 OHM and higher than 47K OHM are available upon request.

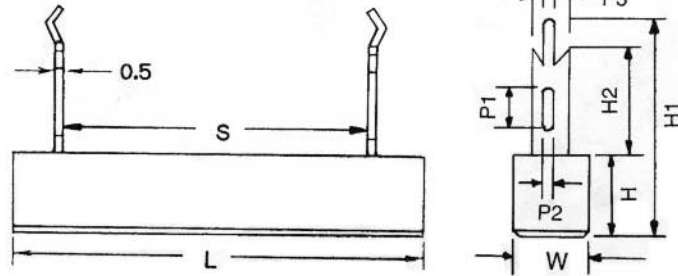


SQZ

A TYPE



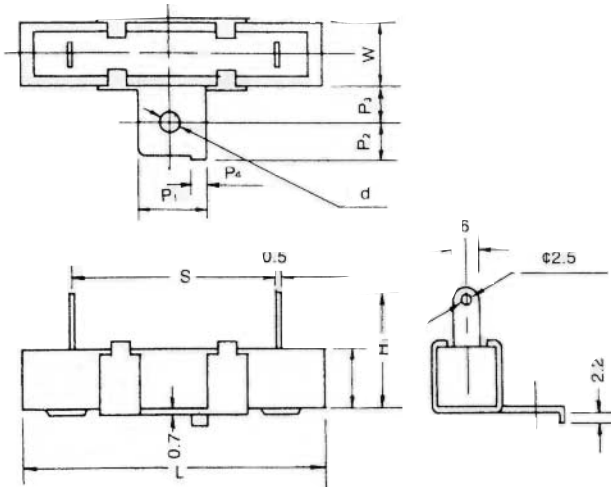
B TYPE



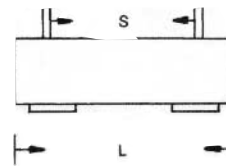
Type	Type	Power Rating (W)	Resistance Range ()		Dimensions (mm)										
			Wire Wound	MO	L	H	W	S	H1	H2	P1	P2	P3	P4	
SQZA-3S	SQZB-3S	3 mini	0.1 -50	51 -50K	22.0	9.5	9.5	10.0	23.0	12.0	4.0	2.0	5.0	1.4	
SQZA-5S	SQZB-5S	5 mini	0.1 -50	51 -50K	25.0	9.5	9.5	10.0	24.0	12.0	4.0	2.0	5.0	1.4	
SQZA-5	SQZB-3S	5	0.1 -200	201 -50K	27.0	9.5	9.5	15.0	24.0	9.5	4.0	2.0	5.0	1.4	
SQZA-7	SQZB-5S	7	0.1 -200	201 -100K	35.0	9.5	9.5	22	24.0	9.5	4.0	2.0	5.0	1.4	
SQZA-10	SQZB-10	10	0.2 -500	501 -100K	48.0	9.5	9.5	32	24.0	9.5	4.0	2.0	5.0	1.4	
SQZA-15	SQZB-15	15	0.5 -600	601 -100K	48.0	12.5	12.5	32	34.5	15.0	7.0	6.0	10.0	2.7	
SQZA-20	SQZB-20	20	0.5 -1K	1.1 -100K	63.5	12.5	12.5	45	34.5	15.0	7.0	6.0	10.0	2.7	

NOTE: Resistance up to 50 maximum for non-inductive type.

SQHG



SQH

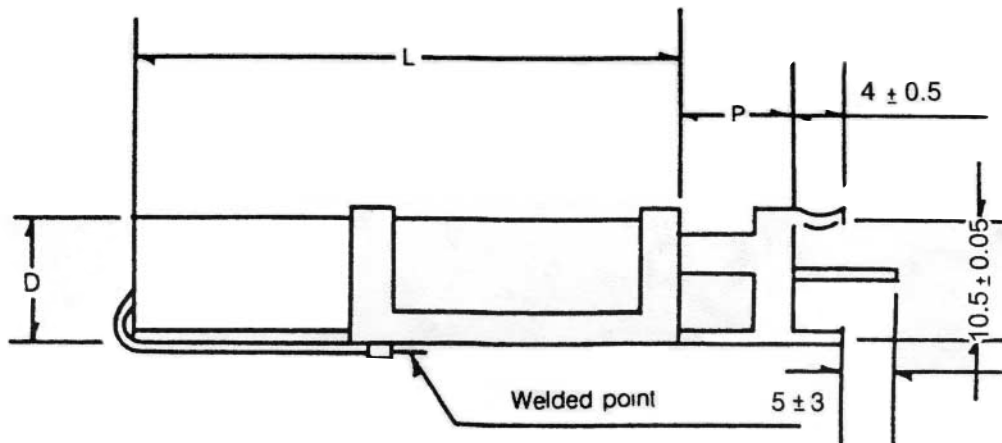
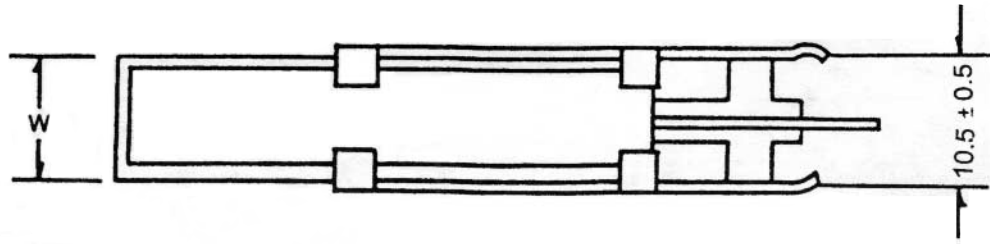


Type	Type	Power Rating (W)	Resistance Range ()		Dimensions (mm)									
			Wire Wound	MO	L ± 2	H ± 1	W ± 1	S ± 1	H1 ± 1	P1 ± 1	P2 ± 1	P3 ± 1	P4 ± 1	d
SQH-10	SQHG-10	10	0.5 -500	501 -50K	48.0	10.0	10.0	32.0	21.0	12.0	6.0	8.0	3.0	4
SQH-15	SQHG-15	15	0.5 -600	601 -150K	48.0	12.0	12.0	32.0	21.0	12.0	6.0	8.0	3.0	4
SQH-20	SQHG-20	20	0.5 -1K	1.1 -150K	63.7	12.0	12.0	42.0	24.0	12.0	6.0	8.0	3.0	4
SQH-30	SQHG-30	30	1 -2K		75.0	19.0	18.0	56.0	30.0	17.0	8.0	10.0	3.0	4
SQH-40	SQHG-40	40	1 -2K		90.0	19.0	18.0	68.0	30.0	17.0	8.0	10.0	3.0	4

NOTE: Resistance up to 15 maximum for non-inductive type.



SPS TYPE



Type	Power Rating (W)	Dimensions (mm) ± 1mm				Resistance Range	
		W±2	D±1	L±1	P±1	Wire Wound	MO
SPS-5	5	10	9	22	5	0.1 -50	56 -50K
SPS-7	7	10	9	35	10	0.1 -300	300 -50K
SPS-10	10	10	9	48	10	0.1 -500	500 -50K
SPS-15	15	12	13	48	10	0.1 -1K	1K -50K
SPS-20	20	12	13	60	10	0.1 -1K	1K -50K