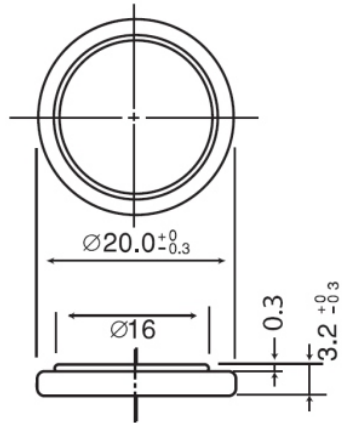


E-Cell Batteries

CR2032

Lithium Manganese Dioxide
(Li-MnO₂) Coin Batteries

Dimensions: (mm)



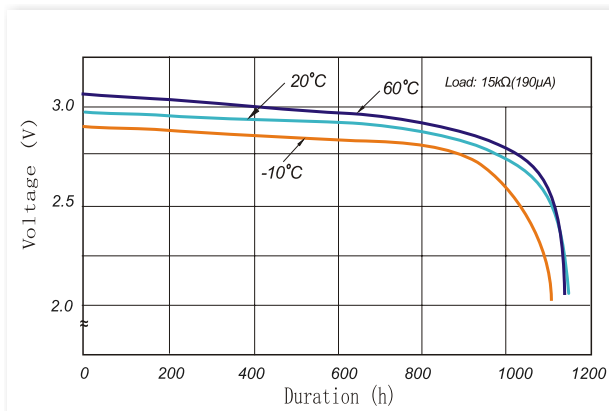
Characteristics:

Nominal Capacity (15K Ω , 2.0V off)	225mAh
Nominal Voltage	3.0V
Max. Constant Current	3mA
Max. Pulse Current	15mA
Operating Temperature	-20 ~ +70°C
Weight	3.2g

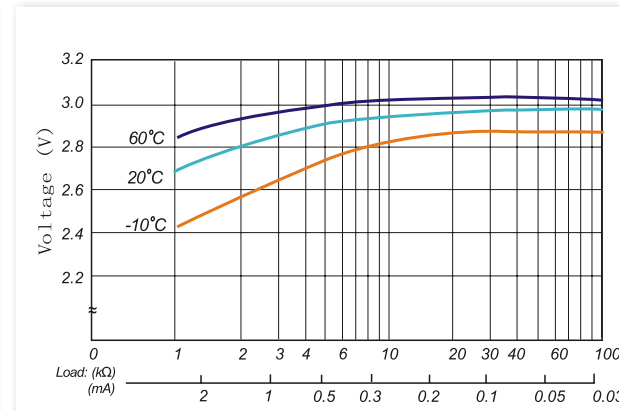
Warning:

- Do not short-circuit between “+” and “-” terminals.
- Do not charge, damage the battery or throw into fire.
- Do not solder directly on the battery. Please use wire or nickel sheet by spot welding.
- Take out the battery when discharged to cut off voltage, and dispose of according to the national and local laws.

Temperature Characteristics:



Operating Voltage vs Load Resistance:



Temperature Characteristics:

