

Pro Components

CTP-D12 SERIES PRINTED CIRCUIT TEST POINTS

SPECIFICATIONS:

Material: 0.508mm(0.020") Diameter.
Phosphor Bronze #510 Alloy.

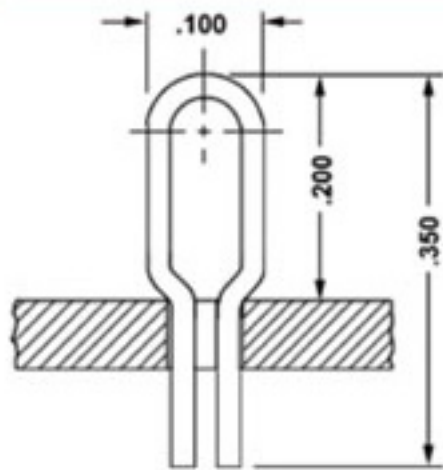
Finish: Bright, Electro-Tin 0.00254mm (0.0001").

Mounting: CTP-D12-078: 1.70mm to 1.98mm(0.067" to 0.078") Dia.
CTP-D12-116: 2.84mm to 2.95mm (0.112" to 0.116") Dia.

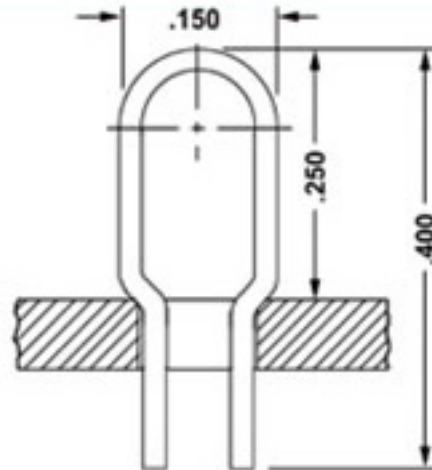
Maximum Current: 2 Amps.



DIMENSIONS:(UNITS: INCHES)



CTP-D12-078



CTP-D12-116

Part Number	Mounting Diameter
CTP-D12-078	1.70mm to 1.98mm(0.067" to 0.078")
CTP-D12-116	2.84mm to 2.95mm (0.112" to 0.116")