

# Pro Components

## CTP-D13 SERIES PRINTED CIRCUIT TEST POINTS

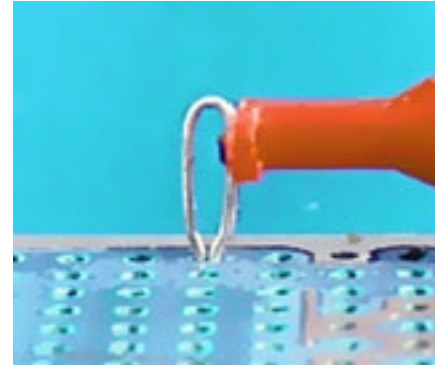
### SPECIFICATIONS:

Material: 0.432mm(0.017") Diameter.  
Phosphor Bronze #510 Alloy.

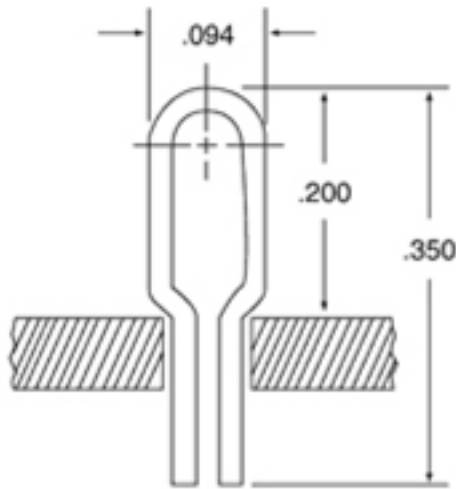
Finish: Bright, Electro-Tin 0.00254mm (0.0001").

Mounting: 1.016mm(0.040") Diameter, (min) Plated Through Hole.

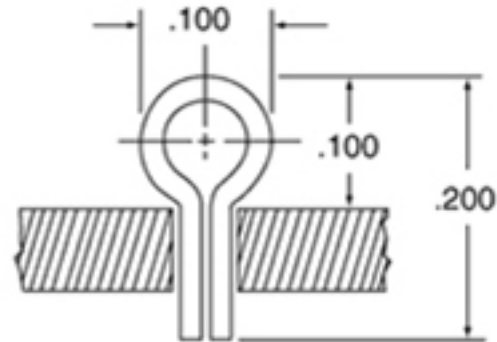
Maximum Current: 2 Amps.



### DIMENSIONS:(UNITS: INCHES)



CTP-D13-200



CTP-D13-100

Part Number	Loop Height
CTP-D13-100	2.54mm (0.100")
CTP-D13-200	5.08mm (0.200")