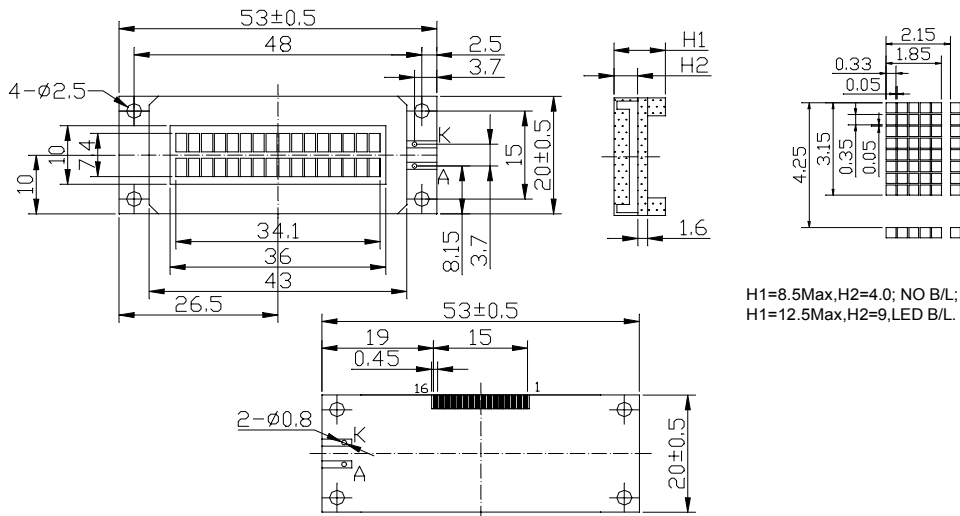


## DC1602K

16CH x 2 Lines  
1/16Duty, 1/5Bias

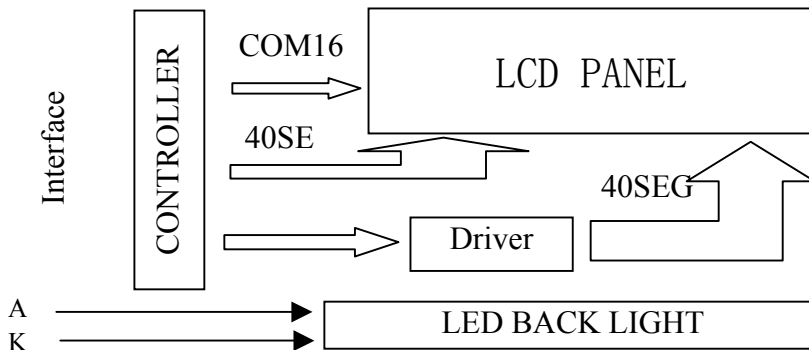
### 1. External Dimension



### 2. Pin Table

1	2	3	4	5	6	7	8	9	10	11	12	13	14	15	16
V <sub>SS</sub>	V <sub>DD</sub>	V <sub>0</sub>	RS	R/W	E	DB0	DB1	DB2	DB3	DB4	DB5	DB6	DB7	LED+	LED-

### 3. Block Diagram



### 4. Electrical Characteristics (T<sub>a</sub>=25°C, V<sub>DD</sub>=5.0V±0.25V)

Item	Symbol	Test Condition	Min.	Typ.	Max.	Unit
Input High Voltage	V <sub>ih</sub>	-	2.2		V <sub>DD</sub>	V
Input Low Voltage	V <sub>il</sub>	-	-0.3		0.6	V
Output High Voltage	V <sub>oh</sub>	-I <sub>OH</sub> =0.2mA	2.4			V
Output Low Voltage	V <sub>ol</sub>	I <sub>OL</sub> =1.2mA			0.4	V
Supply Current	I <sub>DD</sub>	V <sub>DD</sub> =5.0V		2	3	mA
Operating Voltage for LCD	V <sub>DD</sub> -V <sub>0</sub>	STN		4.7		V
		TN		4.7		V