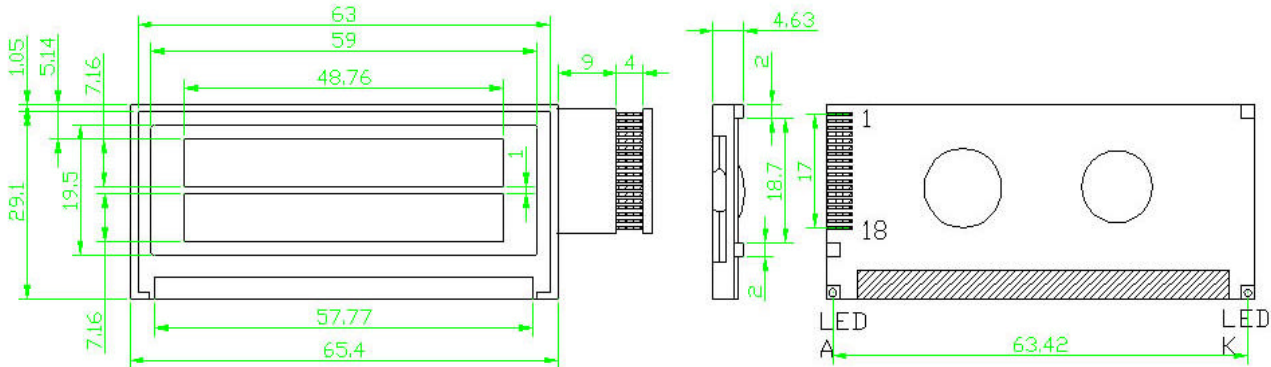


## DG12232G1

122x32 1/32  
Duty,1/6 Bias

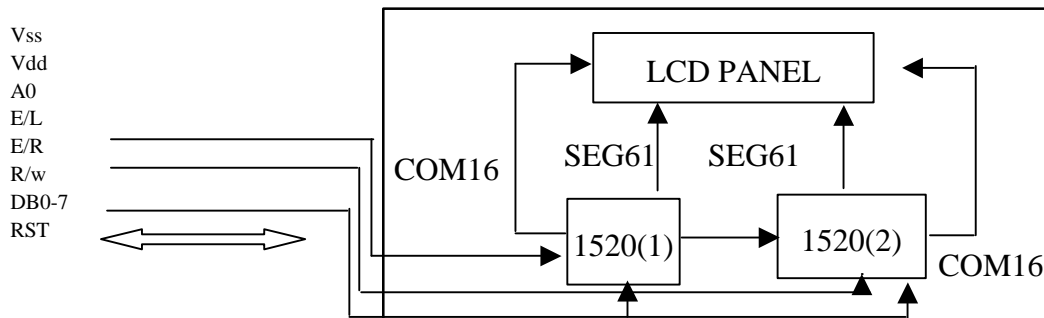
### 1. External Dimension



### 2. Pin Table

1	2	3	4	5	6	7	8	9~16	17	18
Vdd	Vss	VLCD/RST	E1	E2	R/W	A0	DB0-DB7	DDA	K	

### 3. Block Diagram



### 4. Electrical Characteristics (Ta=25 , Vdd=5.0V±0.25V)

Item	Symbol	Test Condition	Min.	Typ.	Max.	Unit
Input High Voltage	Vih	-	0.8Vdd		Vdd	V
Input Low Voltage	Vil	-	0		0.2Vdd	V
Output High Voltage	Voh	-I OH=0.2mA	2.4			V
Output Low Voltage	Vol	I ol=1.2mA			0.4	V
Supply Current	Idd	Vdd=5.0V		1.47		mA
Operating Voltage for LCD	Vdd-V0	STN		5		V
						V