

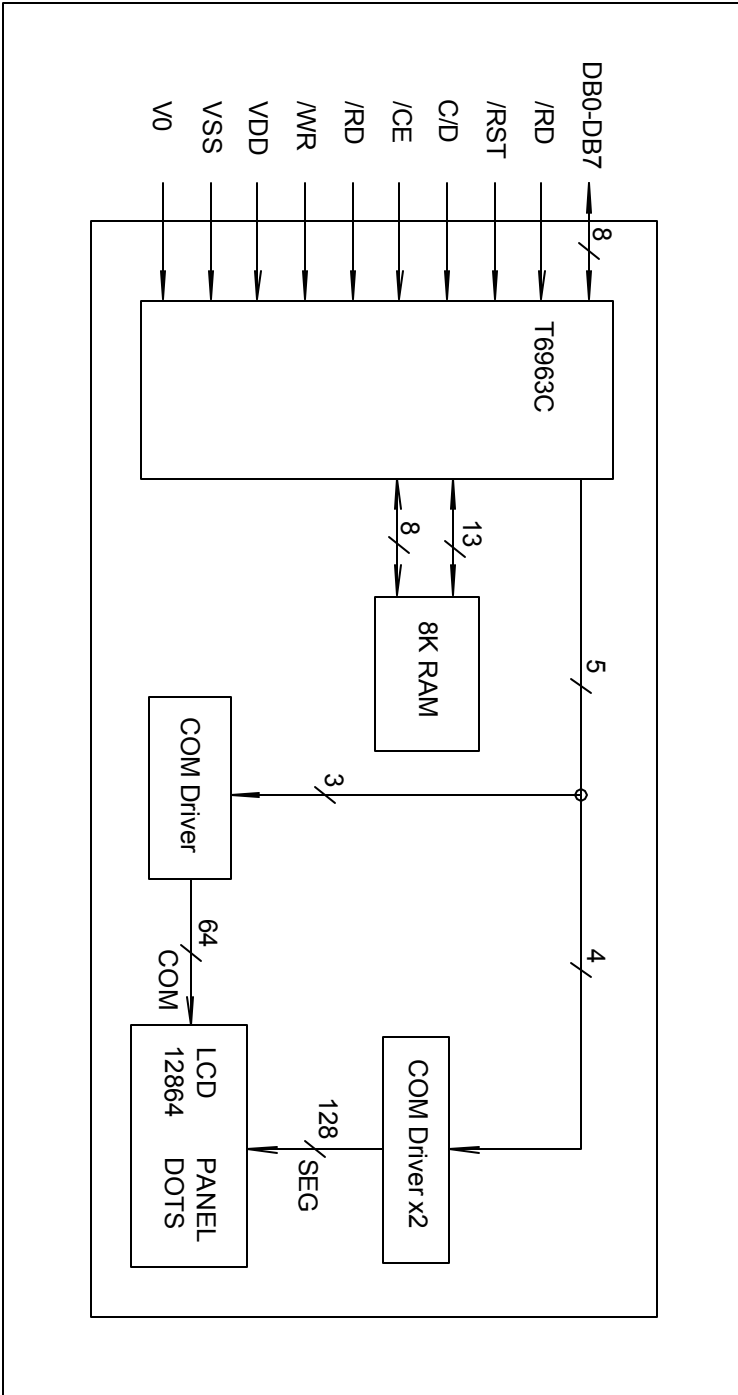
DIGITAL VISION

Part #: DG12864B2

REV:	SIZE:	SHEET:	SCALE:

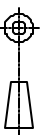
UNITS:	MM
TITL:	
SHEET:	
SCALE:	





digital vision

Part #: DG12864B2



UNITS: MM

TTL

SHEET:

REV: SIZE

SCALE:

(128 × 64 Dots)

ABSOLUTE MAXIMUM RATINGS

ITEM	SYMBOL	CONDITION	STANDARD VALUE		UNIT
			MIN	MAX.	
SUPPLY VOLTAGE FOR LOGIC	V _{DD}	Ta=25°C	-0.3	7.0	V
SUPPLY VOLTAGE FOR LCD	V _{LCD}		-0.3	17.5	
INPUT VOLTAGE	V _I		-0.3	V _{DD} +0.3V	
OPERATING TEMPERATURE	T _{OP}	-	-20	70	°C
STORAGE TEMPERATURE	T _{ST}	-	-30	80	°C

ELECTRICAL CHARACTERISTICS (Ta=25°C)

ITEM	SYMBOL	CONDITION	MIN	TYPE	MAX.	UNIT
LOGIC CIRCUIT POWER SUPPLY VOLTAGE	V _{DD}	-	4.5	5.0	5.5	V
INPUT HIGH VOLTAGE	V _{IH}	-	0.8 V _{DD}	-	V _{DD}	V
INPUT LOW VOLTAGE	V _{IL}	-	GND	-	0.2V _{DD}	V
OUTPUT HIGH VOLTAGE	V _{OH}	I _{OH} =-0.2mA	2.4	-	-	
OUTPUT LOW VOLTAGE	V _{OL}	I _{OL} =0.2mA	-	-	0.4	
LOGIC CIRCUIT POWER SUPPLY CURRENT	I _{DD}	V _{DD} =5.0V	-	10.0	15.0	mA
OPERATING VOLTAGE FOR LCD	V _{DD} - V _O	-	-	9.0	-	V

INTERFACE PIN CONNECTIONS

ITEM	SYMBOL	LEVEL	FUNCTIONS
1	FG	-	Frame ground
2	GND	-	Power supply (GND)
3	V _{DD}	-	Power supply
4	V _O	-	Power supply for LCD
5	/WR	L	Data write
6	/RD	L	Data read
7	/CE	L	Enable signal
8	C/D	H/L	Command/Data
9	/RST	L	Reset signal
10 - 17	DB0 - BD7	H/L	Data bus
18	FS	H/L	Font selection
19	EL/LED-	-	Power supply for B/L
20	EL/LED+	-	Power supply for B/L