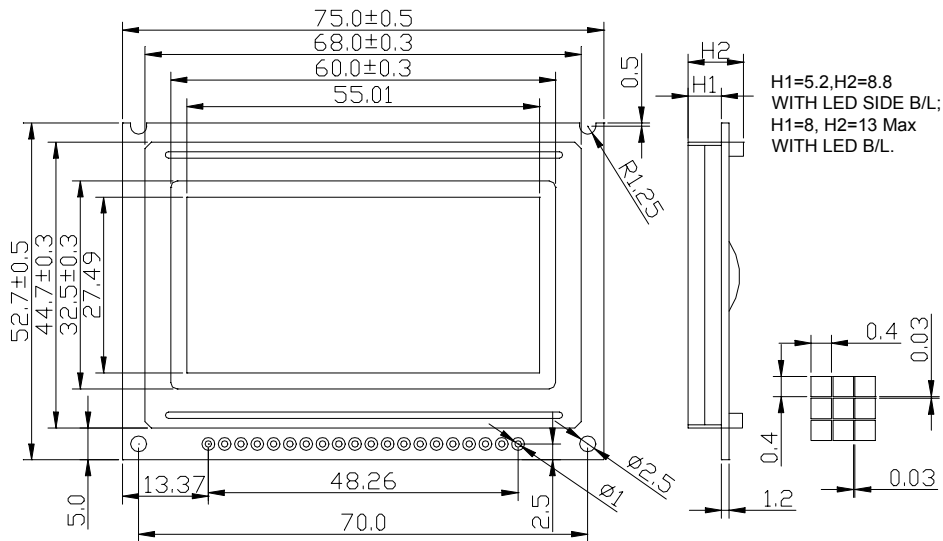


## DG12864D

128x64  
1/64 Duty, 1/9 Bias

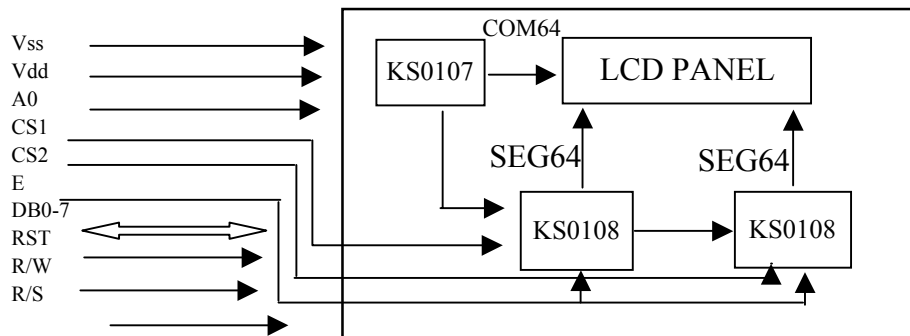
### 1. External Dimension



### 2. Pin Table

1	2	3	4	11	12	13	14	15	16	17	18	19	20
Vdd	Vss	V0	DB0	DB7	CS1	CS2	RST	R/W	R/S	E	Vee	LED+	LED-

### 3. Block Diagram



### 4. Electrical Characteristics (Ta=25°C, Vdd=5.0V±0.25V)

Item	Symbol	Test Condition	Min.	Typ.	Max.	Unit
Input High Voltage	Vih	-	0.7Vdd		Vdd	V
Input Low Voltage	Vil	-	0		0.8	V
Output High Voltage	Voh	-I OH=0.2mA	Vdd-0.4			V
Output Low Voltage	Vol	I ol=1.2mA			0.4	V
Supply Current	Idd	Vdd=5.0V		4		mA
Operating Voltage for LCD	Vdd-V0	STN		7.8		V
		TN		-		V