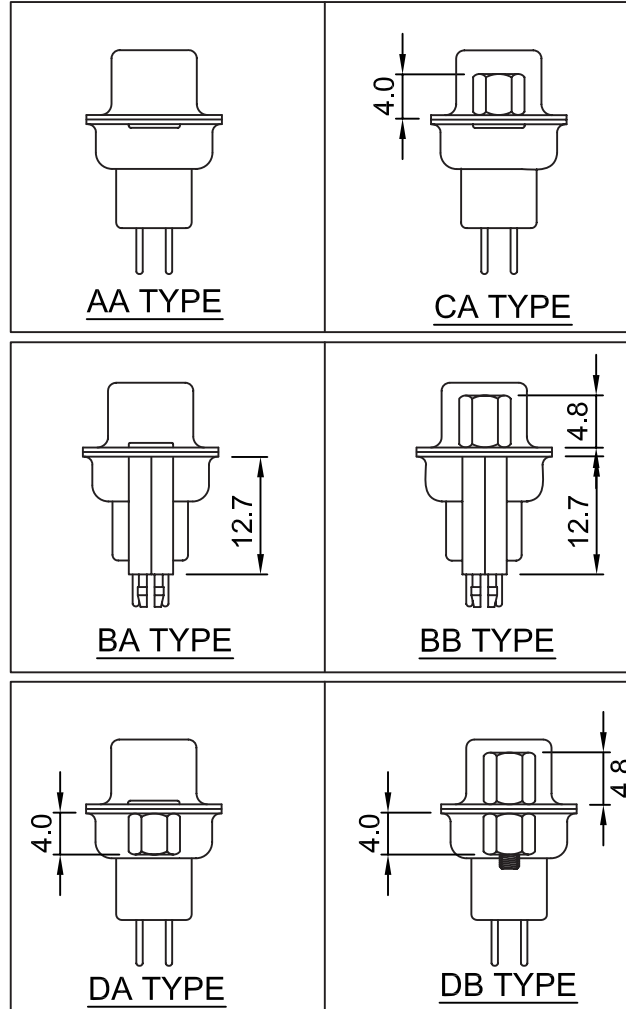


Contacts	Dimension mm		
	A	B	C
09	16.92	24.99	30.81
15	25.25	33.32	39.25
25	38.96	47.04	53.10
37	55.42	63.50	69.50

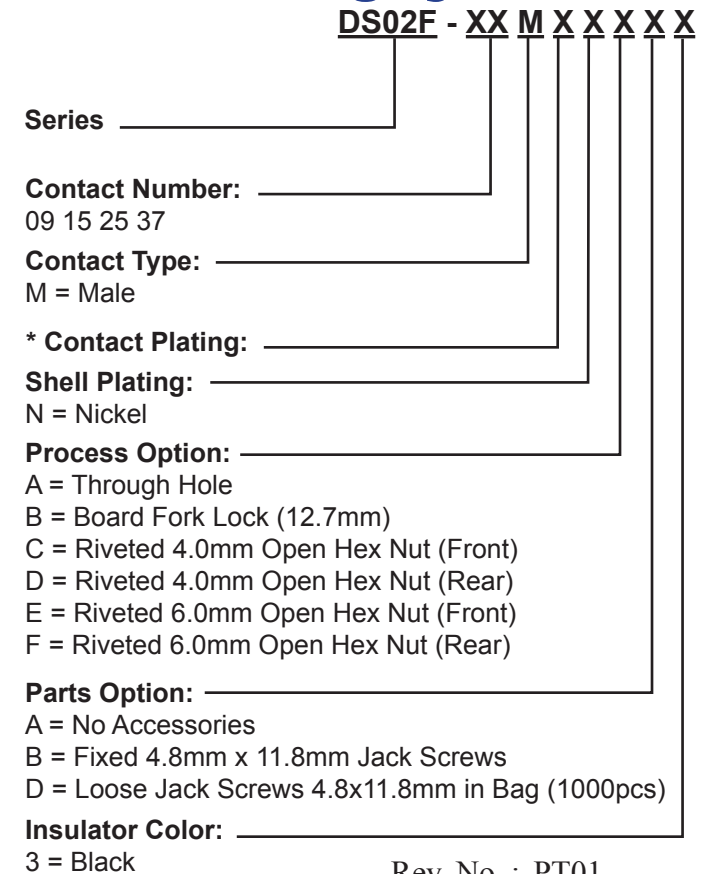
* Contact Plating Option	Full Gold Plating	Gold Plated On Contact Area Tin Plated on Solder Area	Full Tin Plating
	G : Gold Flash G10: Gold 10u" G15: Gold 15u" G30: Gold 30u"	S: Gold Flash S10: Gold 10u" S15: Gold 15u" S30: Gold 30u"	T: Tin 100u"



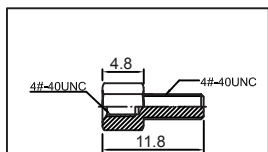
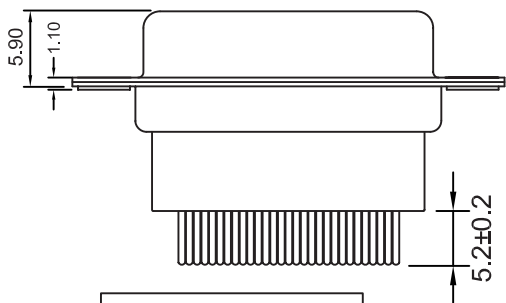
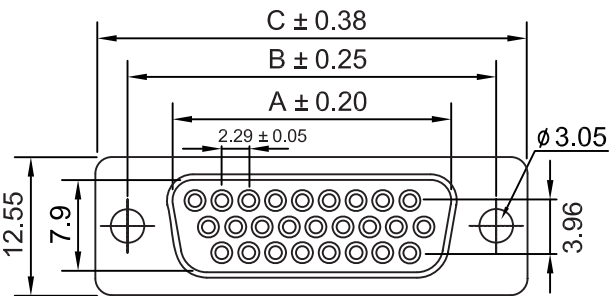
### Specifications

Current Rating: 3 Amp  
 Operating Temp.: -55°C ~ +105°C  
 Dielectric Strength : 1000V / minute  
 Insulation Resistance: 1000MΩ Min. at 500V DC  
 Contact Resistance: 30 million ohms Max.  
 Insulator Material: PBT+30% Glass Fiber (UL94V-0)  
 Contact: Brass  
 Contact Plated: Gold / Tin Plated  
 Shell: Steel, Nickel Plated  
 Screw: Brass, Nickel Plated

### Part Numbering System



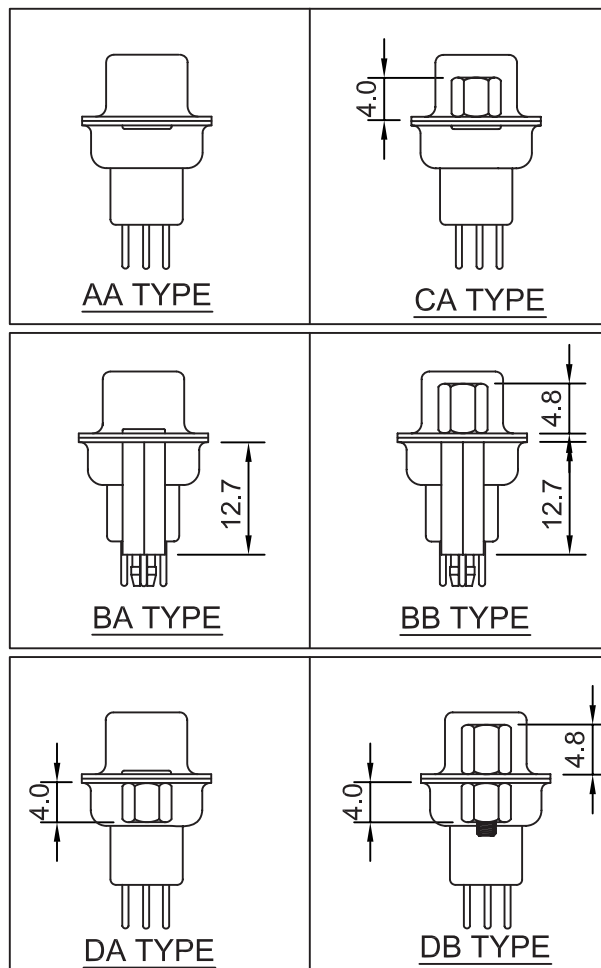
General Tolerance	
X. ± 0.50	X.° ± 5°
.X ± 0.20	.X° ± 2°
.XX ± 0.10	.XX° ± 1°
Units : mm	



1000/pcs in poly bag

Contacts	Dimension mm		
	A	B	C
15	16.33	24.99	30.81
26	24.66	33.32	39.25
44	38.38	47.04	53.10
62	54.84	63.50	69.50

* Contact Plating Option	Full Gold Plating	Gold Plated On Contact Area Tin Plated on Solder Area	Full Tin Plating
	G : Gold Flash G10: Gold 10u" G15: Gold 15u" G30: Gold 30u"	S: Gold Flash S10: Gold 10u" S15: Gold 15u" S30: Gold 30u"	T: Tin 100u"



General Tolerance	
X. $\pm 0.50$	X.° $\pm 5^\circ$
.X $\pm 0.20$	.X° $\pm 2^\circ$
.XX $\pm 0.10$	.XX° $\pm 1^\circ$
Units : mm	

### Specifications

Current Rating: 3 Amp  
 Operating Temp.:  $-55^\circ\text{C} \sim +105^\circ\text{C}$   
 Dielectric Strength : 1000V / minute  
 Insulation Resistance: 1000M $\Omega$  Min. at 500V DC  
 Contact Resistance: 30 million ohms Max.  
 Insulator Material: PBT+30% Glass Fiber (UL94V-0)  
 Contact: Brass  
 Contact Plated: Gold / Tin Plated (See Options)  
 Shell: Steel, Nickel Plated  
 Screw: Brass, Nickel Plated

### Part Numbering System

**DH02F - XX F X X X X X**

**Series** \_\_\_\_\_  
**Contact Number:** \_\_\_\_\_  
 15 26 44 62  
**Contact Type:** \_\_\_\_\_  
 F = Female  
**\* Contact Plating:** \_\_\_\_\_  
**Shell Plating:** \_\_\_\_\_  
 N = Nickel  
**Process Option:** \_\_\_\_\_  
 A = Through Hole  
 B = Board Fork Lock (12.7mm)  
 C = Riveted 4.0mm Open Hex Nut (Front)  
 D = Riveted 4.0mm Open Hex Nut (Rear)  
 E = Riveted 6.0mm Open Hex Nut (Rear)  
 F = Riveted 6.0mm Open Hex Nut (Front)  
**Parts Option:** \_\_\_\_\_  
 A = No Accessories  
 B = Fixed 4.8mm x 11.8mm Jack Screws  
 D = Loose Jack Screws 4.8x11.8mm in Bag (1000pcs)  
**Insulator Color:** \_\_\_\_\_  
 3 = Black