

Specifications

Current Rating: 5 Amp
Operating Temp.: -55°C ~ +105°C
Dielectric Strength : 1000V AC/min
Insulation Resistance:1000MΩ Min. at 500V DC
Contact Resistance: 15 Millions ohms Max.
Insulator Material: PBT+30% Glass Fiber (UL94V-0)
Contact: Brass
Contact Plated: See Options Below
Shell: Steel, Nickel Plated (Standard)
Screw: Brass, Nickel Plated (4.8mm * 11.8mm Standard)

Part Numbering System

Series **DH05 - XX F X N B X 3**

Contact Number: _____
15, 26, 44, 62

Contact Type: _____
F = Female

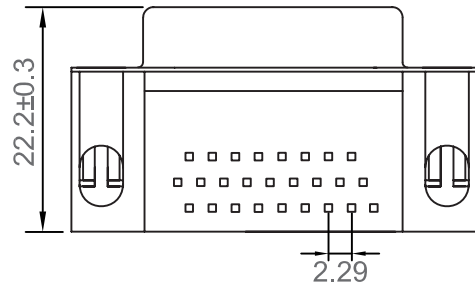
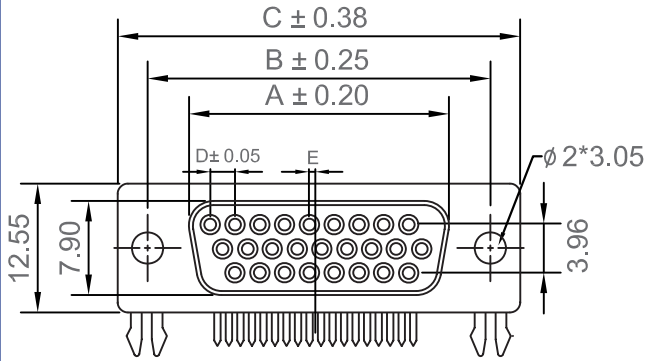
*** Contact Plating:** _____

Shell Plating: _____
N = Nickel

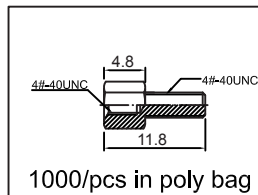
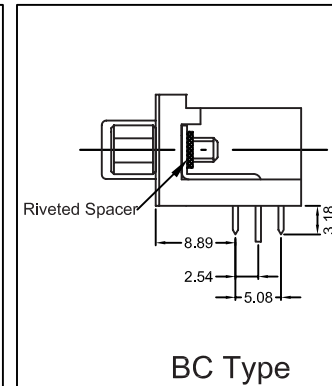
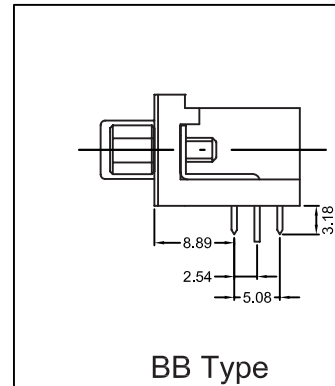
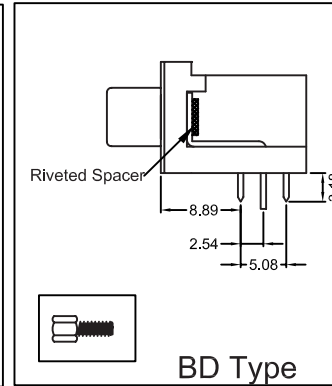
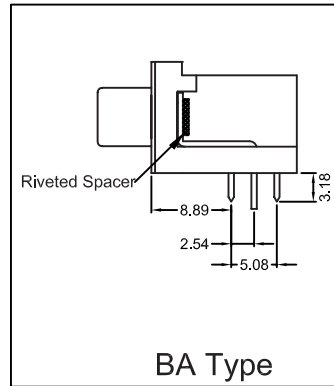
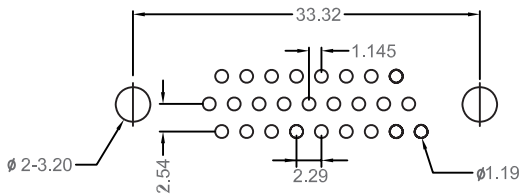
Process Option: _____
B = Board Lock (Standard)

Accessory Option: _____
A = Riveted + No Accessories
B = Non-Riveted + Attached Jack Screws
C = Riveted + Attached Jack Screws
D = Riveted + Loose Jack Screws (in Poly Bag)

Insulator Color: _____
2 = Blue (Pantone Color 661C)
3 = Black



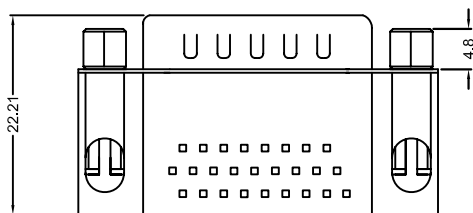
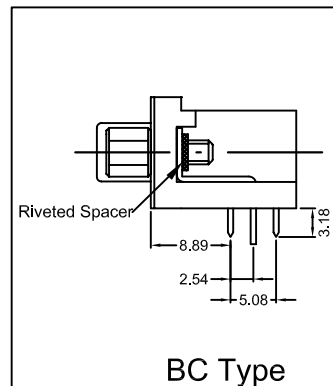
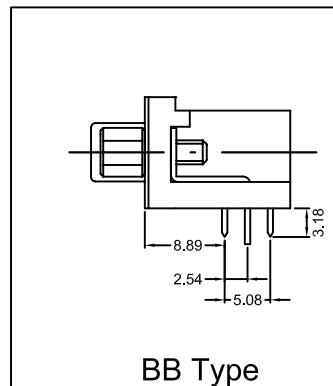
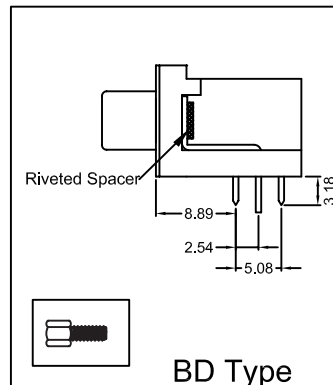
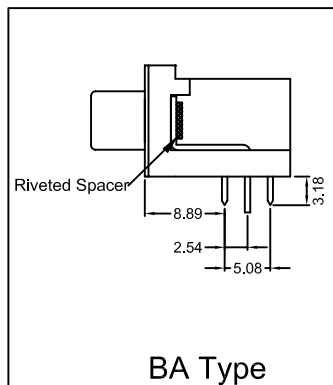
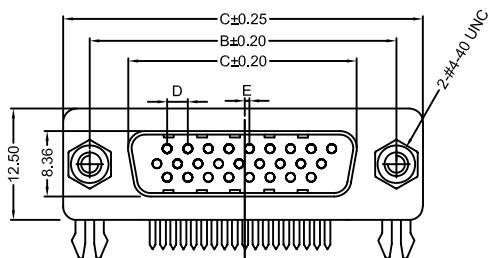
Recommended
P.C. Board Hole Layout



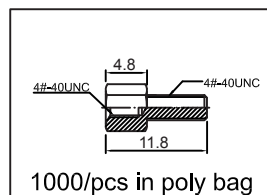
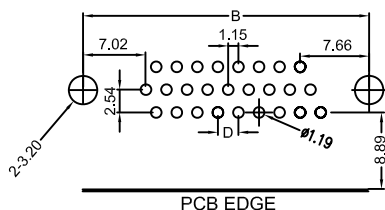
General Tolerance	
X. ± 0.50	X.° ± 5°
.X ± 0.20	.X° ± 2°
.XX ± 0.10	.XX° ± 1°
Units : mm	

Contacts	A	B	C	D	E
15	16.33	24.99	30.81	2.29	0.25
26	24.66	33.32	39.14	2.29	0.51
44	38.38	47.04	53.04	2.29	0.51
62	54.84	63.50	69.32	2.41	0.58

* Contact Plating Option	Full Gold Plating	Gold Plated On Contact Area Tin Plated on Solder Area	Full Tin Plating
	G : Gold Flash G10: Gold 10u" G15: Gold 15u" G30: Gold 30u"	S: Gold Flash S10: Gold 10u" S15: Gold 15u" S30: Gold 30u"	T: Tin 100u"



Recommended
P.C. Board Hole Layout



General Tolerance	
X. ± 0.50	X.° ± 5°
.X ± 0.20	.X° ± 2°
.XX ± 0.10	.XX° ± 1°
Units : mm	

Contacts	A	B	C	D	E
15	16.92	24.99	30.80	2.29	0.89
26	25.25	33.32	39.10	2.29	0.64
44	38.96	47.04	53.00	2.29	0.64
62	55.42	63.50	69.32	2.41	0.62

* Contact Plating Option	Full Gold Plating	Gold Plated On Contact Area Tin Plated on Solder Area	Full Tin Plating
	G : Gold Flash G10: Gold 10u" G15: Gold 15u" G30: Gold 30u"	S: Gold Flash S10: Gold 10u" S15: Gold 15u" S30: Gold 30u"	T: Tin 100u"

Specifications

Current Rating: 5 Amp
 Operating Temp.: -55°C ~ +105°C
 Dielectric Strength : 1000V AC/min
 Insulation Resistance: 5000MΩ Min. at 50V DC
 Insulator Material: PBT+30% Glass Fiber (UL94V-0)
 Contact: Brass
 Contact Plated: See Options Below
 Shell: Steel, Nickel Plated (Standard)
 Screw: Brass, Nickel Plated (4.8mm x 11.8mm Standard)

Part Numbering System

Series **DH05 - XX M X N B X 3**

Contact Number: _____
 15, 26, 44, 62

Contact Type: _____
 M = Male

*** Contact Plating:** _____

Shell Plating: _____
 N = Nickel

Process Option: _____
 B = Board Lock (Standard)

Accessory Option: _____
 A = Riveted + No Accessories
 B = Non-Riveted + Attached Jack Screws
 C = Riveted + Attached Jack Screws
 D = Riveted + Loose Jack Screws (in Poly Bag)

Insulator Color: _____
 2 = Blue (Pantone Color 661C)
 3 = Black