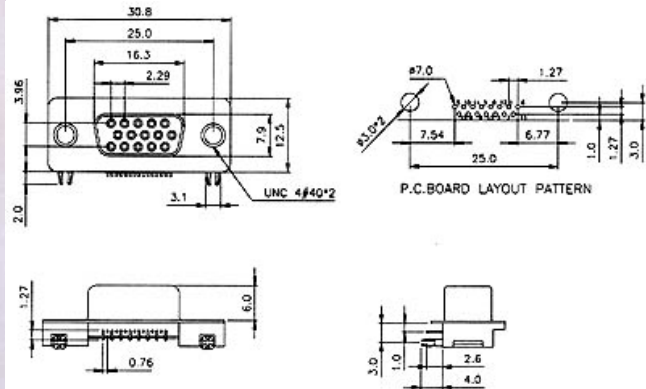


MATERIAL AND FINISHES:

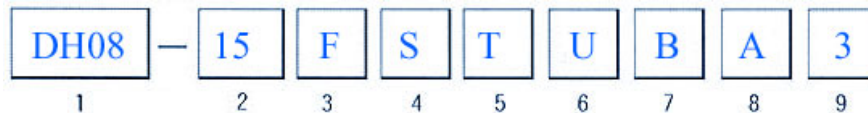
- **INSULATOR:**
PBT Glass Filled
UL 94V-0
- **CONTACT:**
Brass (Male)
Brass or Phosphor Bronze (Female)
- **SHELL:**
Steel
- **PLATING:**
-Contact
1- Gold Flash (Complete)
2- Selective Gold Over Nickel Plated (Contact Area)
Tin/Lead Over Nickel Plated (Tail Area)
-Shell
Tin or Zinc over Copper Plated

ELECTRICAL CHARACTERISTICS:

- **RATING CURRENT:**
3 Amp.
- **CONTACT RESISTANCE:**
< 25 Milliohm
- **INSULATION RESISTANCE:**
> 3000 Megohm at 500V
- **DIELECTRIC VOLTAGE:**
1000V at 1 Minute
- **OPERATING TEMPERATURE:**
-55°C to +105°C



HOW TO ORDER:



1. Series
DH08

4. Contact Plating
S = Selective Gold
G = Gold Flash
A = 5 μ" Gold
B = 10 μ" Gold
C = 15 μ" Gold
D = 30 μ" Gold

7. Parts Option
B = 4#40 Thread Rivet

2. Contact Number
15

5. Shell Plating
T = Tin
N = Nickel
Z = Zinc (Chromatic)

8. Parts Dimension
A = Non Accessories
B = Loose Hex-Screws (4.8*11.8mm)
B = Fixed Hex-Screws (4.8*11.8mm)
B = Loose Hex-Screws (5.8*12.0mm)
B = Fixed Hex-Screws (5.8*12.0mm)

3. Contact Type
F = Female

6. Process Option
U = 4-Prong Boardlock

9. Insulator Color
3 = Black