

MATERIAL AND FINISHES:

- **INSULATOR:**
PBT Glass Filled
UL 94V-0
- **CONTACT:**
Brass (Male)
Brass or Phosphor Bronze (Female)
- **SHELL:**
Steel
- **PLATING:**
-Contact
1- Gold Flash (Complete)
2- Selective Gold Over Nickel Plated (Contact Area)
Tin/Lead Over Nickel Plated (Tail Area)
-Shell
Tin or Zinc over Copper Plated

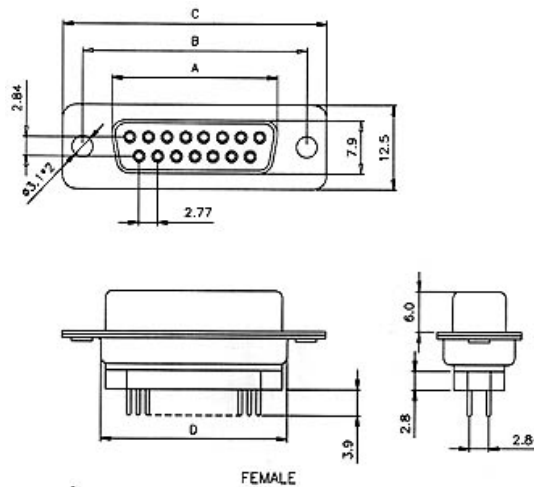
ELECTRICAL CHARACTERISTICS:

- **RATING CURRENT:**
3 Amp.
- **CONTACT RESISTANCE:**
< 15 Milliohm
- **INSULATION RESISTANCE:**
> 3000 Megohm at 500V
- **DIELECTRIC VOLTAGE:**
1000V at 1 Minute
- **OPERATING TEMPERATURE:**
-55°C to +105°C

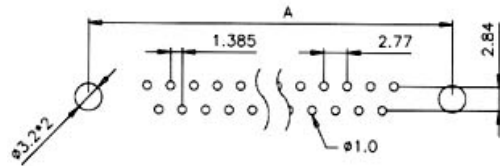


FEMALE Unit: mm

POSITION	A	B	C	D
9F	16.30	25.00	30.8	19.2
15F	24.60	33.30	39.2	27.7
25F	38.30	47.10	53.1	41.1
37F	54.80	63.50	69.4	57.3

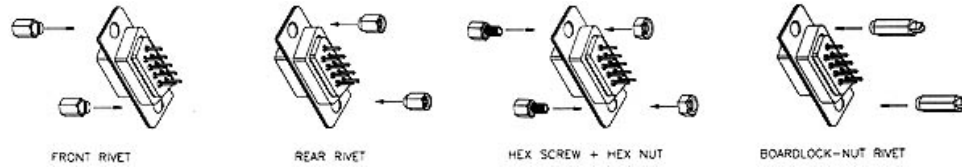


P.C.B. LAYOUT PATTERN:

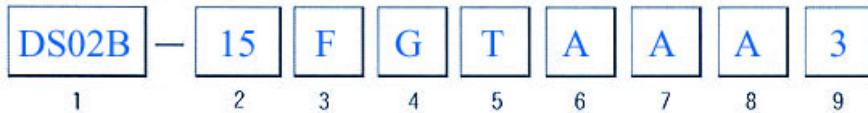


POSITION	A
9P	25.00
15P	33.30
25P	47.10
37P	63.50

PROCESS OPTION:



HOW TO ORDER:



1. Series
DS02B

4. Contact Plating
S = Selective Gold
G = Gold Flash
A = 5 μ" Gold
B = 10 μ" Gold
C = 15 μ" Gold
D = 30 μ" Gold

7. Parts Option
A = Non Accessories
B = Front Rivet
E = Rear Rivet
F = Rear Rivet + Loose Screws
G = Rear Rivet + Fixed Screws

2. Contact Number
09 15 19 23 25 37 50

5. Shell Plating
T = Tin
N = Nickel
Z = Zinc
P = Tin + Dimple
Q = Nickel + Dimple

8. Contact Inserting Option
A = Fully Loaded

3. Contact Type
M = Male
F = Female

6. Process Option
A = Through Hole
B = Hex-Screw + 1.5mm Nut
C = 3.8mm Open Hex Rivet
D = 5.8mm Open Hex Rivet
F = 5.8mm Close Hex Rivet
K = 2.5mm Open Hex Rivet

9. Insulator Color
1 = White
2 = Blue
3 = Black
4 = Grey