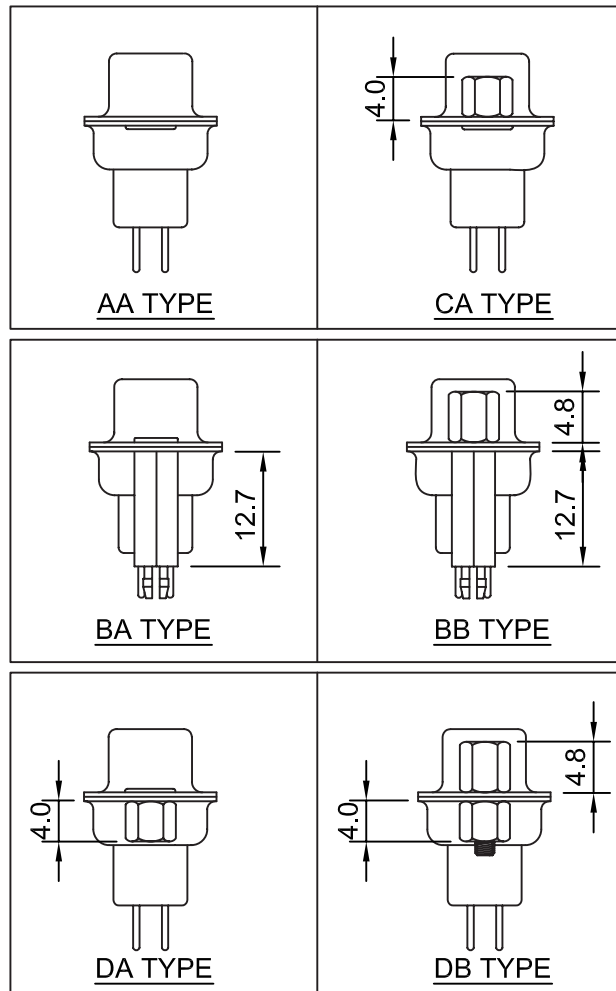


1000/pcs in poly bag

Contacts	Dimension mm		
	A	B	C
09	16.33	24.99	30.81
15	24.66	33.32	39.25
25	38.38	47.04	53.10
37	54.84	63.50	69.50

* Contact Plating Option	Full Gold Plating	Gold Plated On Contact Area Tin Plated on Solder Area	Full Tin Plating
	G : Gold Flash G10: Gold 10u" G15: Gold 15u" G30: Gold 30u"	S: Gold Flash S10: Gold 10u" S15: Gold 15u" S30: Gold 30u"	T: Tin 100u"



General Tolerance	
$X. \pm 0.50$	$X.^{\circ} \pm 5^{\circ}$
$.X \pm 0.20$	$.X^{\circ} \pm 2^{\circ}$
$.XX \pm 0.10$	$.XX^{\circ} \pm 1^{\circ}$
Units : mm	

Specifications

Current Rating: 3 Amp
 Operating Temp.: $-55^{\circ}\text{C} \sim +105^{\circ}\text{C}$
 Dielectric Strength : 1000V / minute
 Insulation Resistance: 1000M Ω Min. at 500V DC
 Contact Resistance: 30 million ohms Max.
 Insulator Material: PBT+30% Glass Fiber (UL94V-0)
 Contact: Brass
 Contact Plated: Gold / Tin Plated
 Shell: Steel, Nickel Plated
 Screw: Brass, Nickel Plated

Part Numbering System

DS02F - XX F X X X X X

Series _____

Contact Number: _____
 09 15 25 37

Contact Type: _____
 F = Female

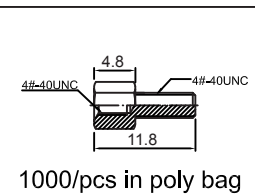
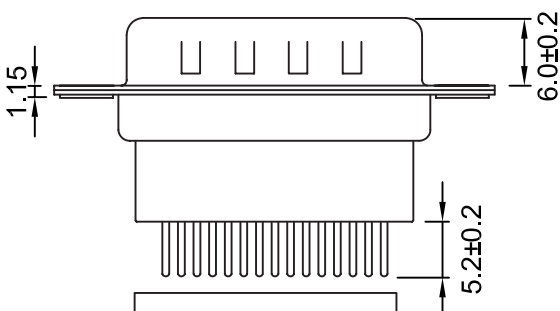
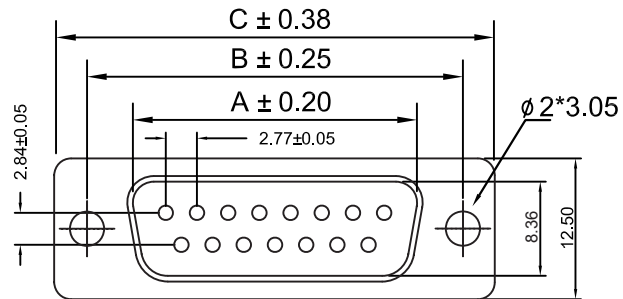
* Contact Plating: _____

Shell Plating: _____
 N = Nickel

Process Option: _____
 A = Through Hole
 B = Board Fork Lock (12.7mm)
 C = Riveted 4.0mm Open Hex Nut (Front)
 D = Riveted 4.0mm Open Hex Nut (Rear)
 E = Riveted 6.0mm Open Hex Nut (Front)
 F = Riveted 6.0mm Open Hex Nut (rear)

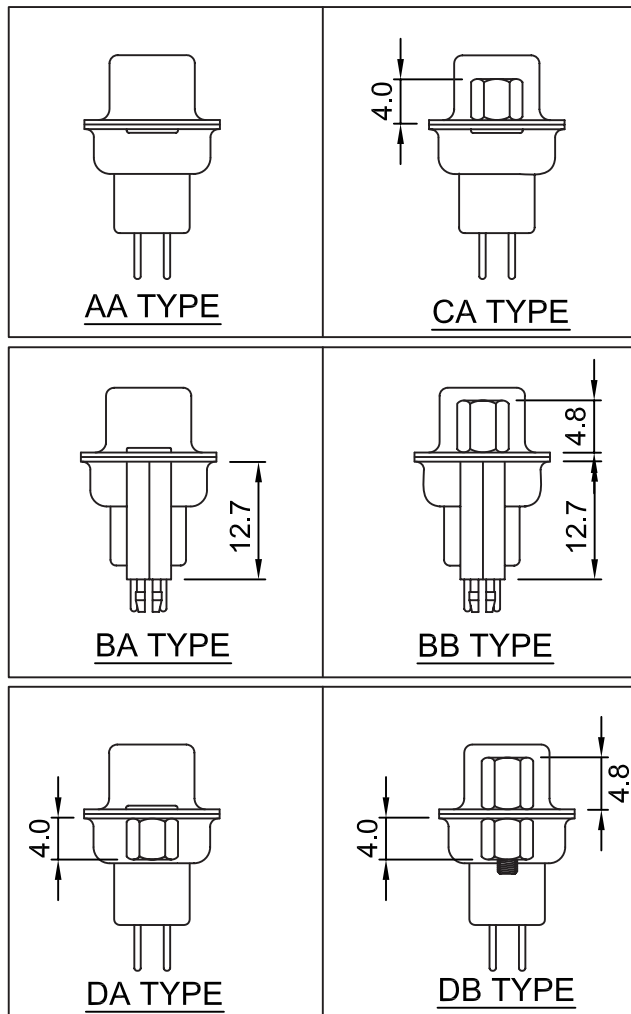
Parts Option: _____
 A = No Accessories
 B = Fixed 4.8mm x 11.8mm Jack Screws
 D = Loose Jack Screws 4.8x11.8mm in Bag (1000pcs)

Insulator Color: _____
 3 = Black



Contacts	Dimension mm		
	A	B	C
09	16.92	24.99	30.81
15	25.25	33.32	39.25
25	38.96	47.04	53.10
37	55.42	63.50	69.50

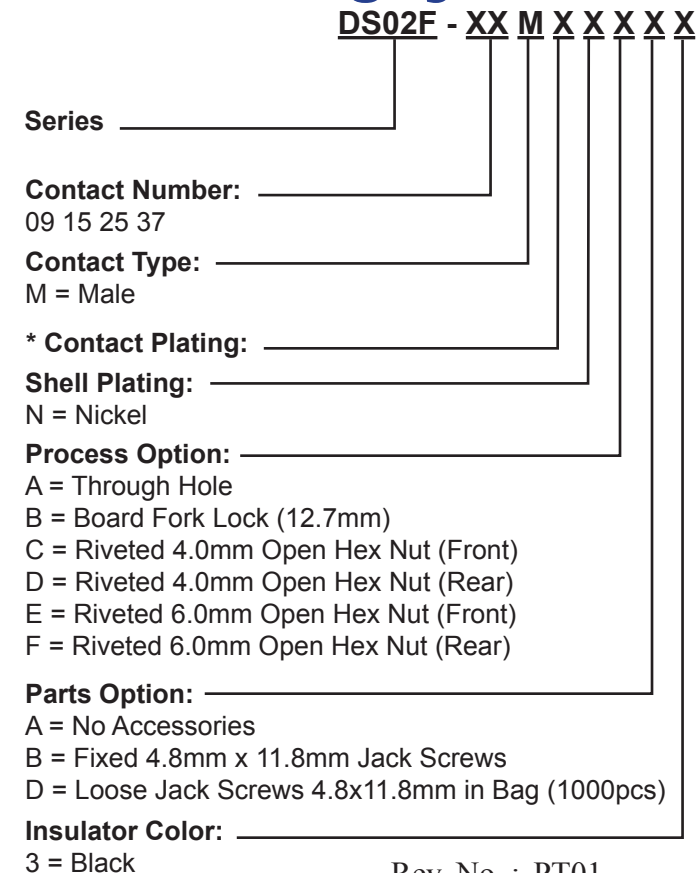
* Contact Plating Option	Full Gold Plating	Gold Plated On Contact Area Tin Plated on Solder Area	Full Tin Plating
	G : Gold Flash G10: Gold 10u" G15: Gold 15u" G30: Gold 30u"	S: Gold Flash S10: Gold 10u" S15: Gold 15u" S30: Gold 30u"	T: Tin 100u"



Specifications

Current Rating: 3 Amp
 Operating Temp.: -55°C ~ +105°C
 Dielectric Strength : 1000V / minute
 Insulation Resistance: 1000MΩ Min. at 500V DC
 Contact Resistance: 30 million ohms Max.
 Insulator Material: PBT+30% Glass Fiber (UL94V-0)
 Contact: Brass
 Contact Plated: Gold / Tin Plated
 Shell: Steel, Nickel Plated
 Screw: Brass, Nickel Plated

Part Numbering System



General Tolerance	
X. ± 0.50	X.° ± 5°
.X ± 0.20	.X° ± 2°
.XX ± 0.10	.XX° ± 1°
Units : mm	