

### Specifications

Current Rating: 3 Amp  
 Operating Temp.: -55°C ~ +105°C  
 Dielectric Strength : 1000V AC/min  
 Insulation Resistance: 1000MΩ Min. at 500VDC  
 Contact Resistance: 30 million hms Max.  
 Insulator Material: PBT+30% Glass Fiber (UL94V-0)  
 Contact: Brass  
 Contact Plated: Gold  
 Terminal Plated: Gold, Tin  
 Shell: Steel, Nickel Plated  
 Screw: Brass, Nickel Plated

### Part Numbering System

**DS03 - XX F X N X X X**

**Series**: DS03

**Contact Number**: 09 15 25 37

**Contact Type**: F = Female

**\* Contact Plating**: (indicated by lines to the part number)

**Shell Plating**: N = Nickel (Standard)

**Insulator Color**:  
3 = Black

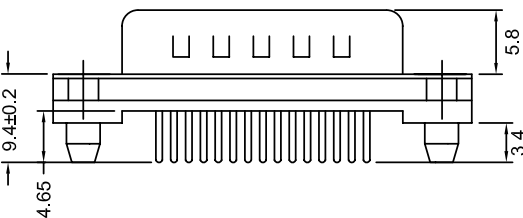
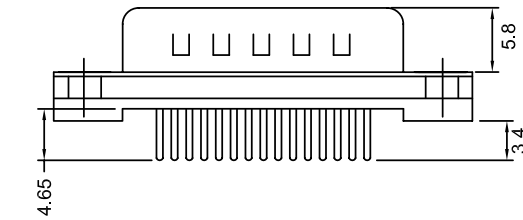
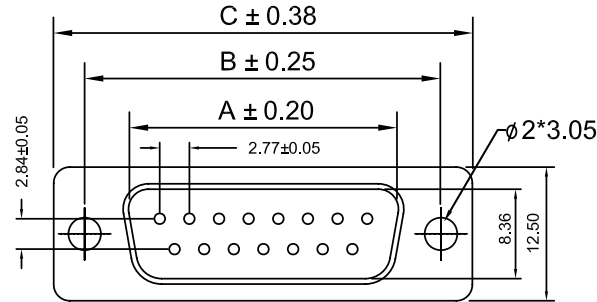
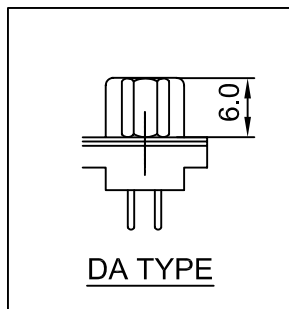
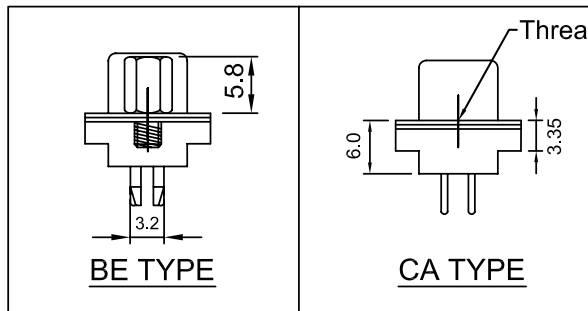
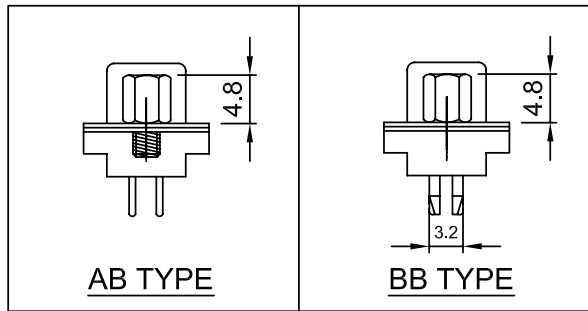
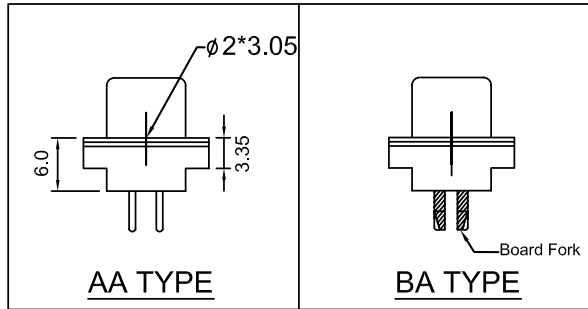
**Parts Option**:  
A = No Accessories  
B = Fixed Jack Screws 4.8mm  
C = Loose Jack Screws 4.8mm (In Poly Bag)  
E = Fixed Jack Screws 5.8mm  
F = Fixed Jack Screws 6.0mm

**Process Option**:  
A = Though Hole  
B = Riveted Board Fork Lock  
C = Riveted 4-40 Threaded Hole  
D = Riveted 6.0 Nut #4-40

No.	A	B	C
09	16.33	24.99	30.81
15	24.66	33.62	39.14
25	39.38	47.04	53.04
37	54.84	63.50	69.32

* Contact Plating Option	Full Gold Plating	Gold Plated On Contact Area Tin Plated on Solder Area	Full Tin Plating
	G : Gold Flash G10: Gold 10u" G15: Gold 15u" G30: Gold 30u"	S: Gold Flash S10: Gold 10u" S15: Gold 15u" S30: Gold 30u"	T: Tin 100u"

General Tolerance	
X. ± 0.50	X.° ± 5°
.X ± 0.20	.X° ± 2°
.XX ± 0.10	.XX° ± 1°
Units : mm	



### Specifications

Current Rating: 3 Amp  
 Operating Temp.: -55°C ~ +105°C  
 Dielectric Strength : 1000V AC/min  
 Insulation Resistance: 1000MΩ Min. at 500VDC  
 Contact Resistance: 30 million hms Max.  
 Insulator Material: PBT+30% Glass Fiber (UL94V-0)  
 Contact: Brass  
 Contact Plated: Gold  
 Terminal Plated: Gold, Tin  
 Shell: Steel, Nickel Plated  
 Screw: Brass, Nickel Plated

### Part Numbering System

**DS03 - XX M X N X X X**

Series

Contact Number:  
09 15 25 37

Contact Type:  
M = Male

\* Contact Plating:

Shell Plating:  
N = Nickel (Standard)

Insulator Color:  
3 = Black

Parts Option:  
A = No Accessories  
B = Fixed Jack Screws 4.8mm  
C = Loose Jack Screws 4.8mm (In Poly Bag)  
E = Fixed Jack Screws 5.8mm

Process Option:  
A = Though Hole  
B = Riveted Board Fork Lock  
C = Riveted 4-40 Threaded Hole  
D = Riveted 6.0 Nut #4-40

No.	A	B	C	D
09	16.92	24.99	30.81	19.28
15	25.25	33.62	39.14	27.51
25	38.96	47.04	53.04	41.30
37	55.42	63.50	69.32	57.71

* Contact Plating Option	Full Gold Plating	Gold Plated On Contact Area Tin Plated on Solder Area	Full Tin Plating
	G : Gold Flash G10: Gold 10u" G15: Gold 15u" G30: Gold 30u"	S: Gold Flash S10: Gold 10u" S15: Gold 15u" S30: Gold 30u"	T: Tin 100u"

General Tolerance	
X. ± 0.50	X.° ± 5°
.X ± 0.20	.X° ± 2°
.XX ± 0.10	.XX° ± 1°
Units : mm	