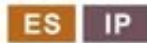




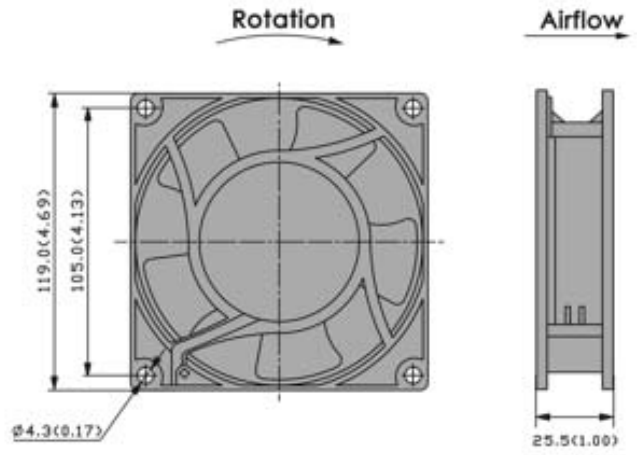
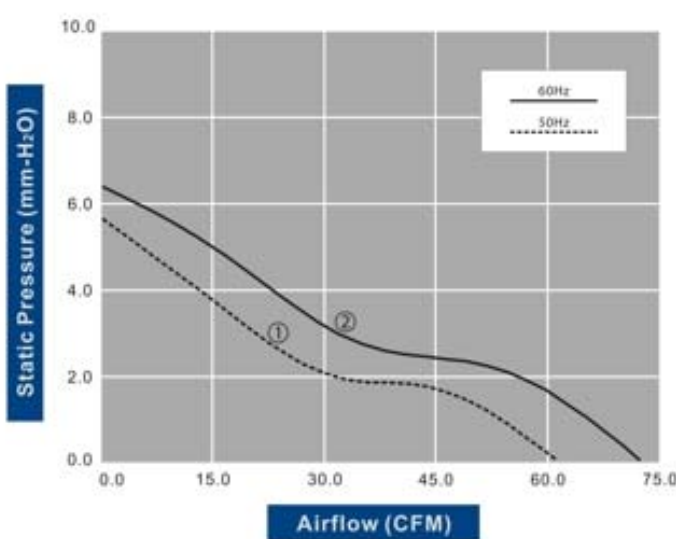
**Housing:** Die-Cast Aluminum, Painted Black  
**Blade:** Thermoplastic PBT, UL 94V-0  
**Insulation Resistance:** 100M $\Omega$ , 500VDC/min between bare wire and frame  
**Dielectric Strength:** 1500VAC for one minute  
**Operation Temperature:** -20°C-70°C(Humidity 35%-85%RH)  
**Storage Temperature:** -40°C-85°C(Humidity 35%-85%RH)  
**Motor Protection:** Impedance Protected  
**Weight:** 346 g

**AC AXIAL FAN**  
**120x120x25mm**



Model Number	Voltage (VAC)	Frequency (Hz)	AirFlow (CFM)	Stat.Pres. (mm-H <sub>2</sub> O)	Noise (dBA)	Speed (RPM)	Current (mA)	Power (W)	Available Bearing	Curves
FA1225B11T7-51	115	50/60	61.0/72.0	5.6/6.3	42.0/45.0	2,600/3,100	150/120	13/10	B,5	①/②
FA1225B22T7-51	230	50/60	61.0/72.0	5.6/6.3	42.0/45.0	2,600/3,000	70/60	13/10	B,5	①/②

- For "Sleeve" bearing version, change the "B" in the model number to "S".
  - For "Wire Lead" version, change the "T" in the model number to "W".
- Specifications are subject to change without notice



unit: mm(inch)