



Housing: Die-Cast Aluminum, Painted Black
 Blade: Thermoplastic PBT, UL 94V-0
 Insulation Resistance: 100M Ω , 500VDC/min between bare wire and frame
 Dielectric Strength: 1500VAC for one minute
 Operation Temperature: -10°C-70°C(Humidity 35%-85%RH)
 Storage Temperature: -40°C-85°C(Humidity 35%-85%RH)
 Motor Protection: Impedance Protected
 Weight: 338 g

AC AXIAL FAN
120x120x25mm

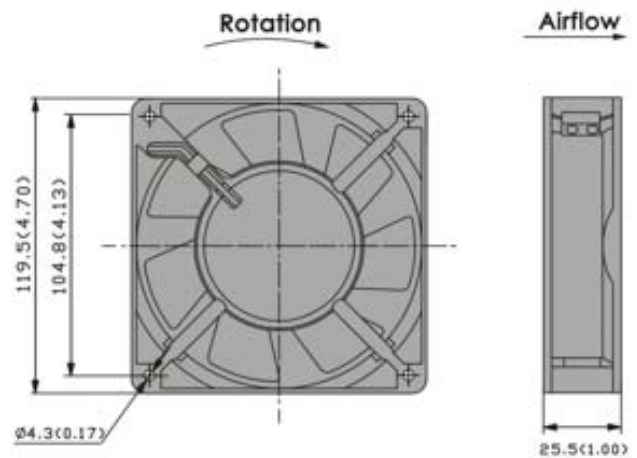
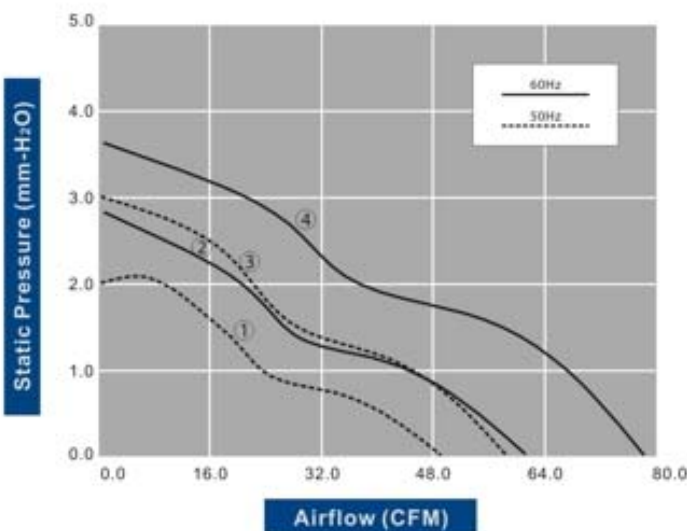


SS

Model Number	Voltage (VAC)	Frequency (Hz)	AirFlow (CFM)	Stat.Pres. (mm-H ₂ O)	Noise (dBA)	Speed (RPM)	Current (mA)	Power (W)	Available Bearing	Curves
FA1225B11T3-91	115	50/60	50.8/60.9	2.0/2.8	32.5/36.4	2,300/2,600	110/80	10/7	B,5	①/②
FA1225B11T5-91	115	50/60	60.9/77.1	3.0/3.7	39.4/43.3	2,400/2,700	180/130	18/11	B,5	③/④
FA1225B22T3-91	230	50/60	50.8/60.9	2.0/2.8	32.5/36.4	2,100/2,400	60/50	13/10	B,5	①/②
FA1225B22T5-91	230	50/60	60.9/77.1	3.0/3.7	39.4/43.3	2,400/2,700	90/70	16/14	B,5	③/④

- For "Sleeve" bearing version, change the "B" in the model number to "S".
- For "Wire Lead" version, change the "T" in the model number to "W".

Specifications are subject to change without notice



unit: mm(inch)