



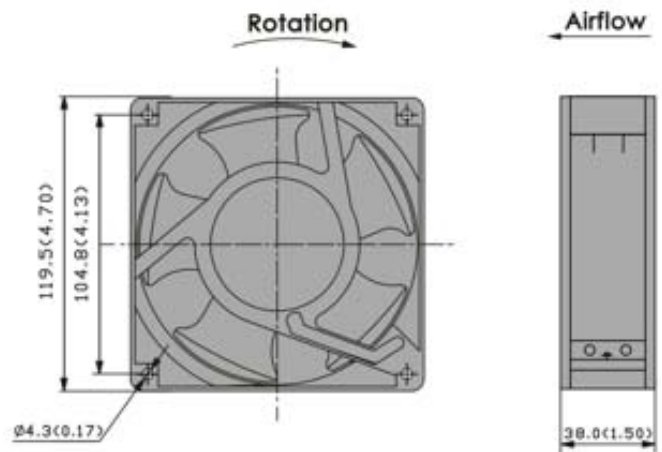
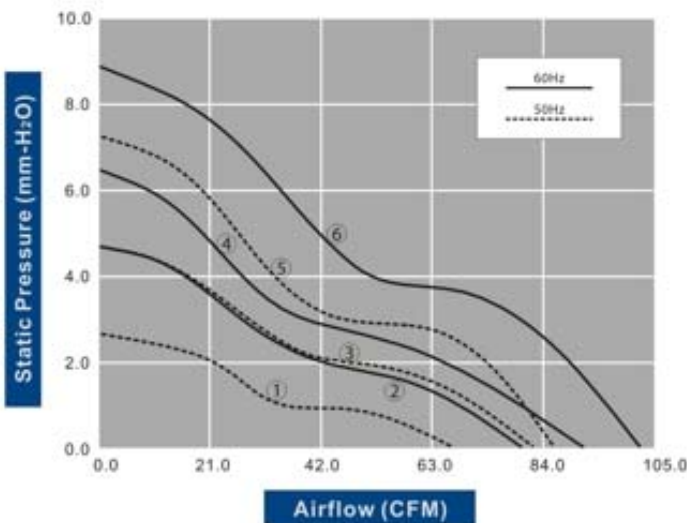
Housing: Die-Cast Aluminum, Painted Black
 Blade: Thermoplastic PBT, UL 94V-0
 Insulation Resistance: 100M Ω , 500VDC/min between bare wire and frame
 Dielectric Strength: 1500VAC for one minute
 Operation Temperature: -10°C-70°C(Humidity 35%-85%RH)
 Storage Temperature: -40°C-85°C(Humidity 35%-85%RH)
 Motor Protection: Impedance Protected
 Weight: 520 g

AC AXIAL FAN
120x120x38mm



Model Number	Voltage (VAC)	Frequency (Hz)	AirFlow (CFM)	Stat.Pres. (mm-H ₂ O)	Noise (dBA)	Speed (RPM)	Current (mA)	Power (W)	Available Bearing	Curves
FA1238B11T3-92	115	50/60	66.0/79.2	2.5/4.7	34.5/39.4	1,900/2,500	120/100	11/9	B, S	①/②
FA1238B11T5-92	115	50/60	81.2/91.4	4.7/6.2	38.4/42.4	2,500/2,800	170/130	14/10	B, S	③/④
FA1238B11T7-92	115	50/60	85.3/101.5	7.2/8.7	44.3/40.4	2,600/3,000	280/210	25/19	B, S	⑤/⑥
FA1238B22T3-92	230	50/60	66.0/79.2	2.5/4.7	34.5/39.4	1,900/2,500	60/50	12/10	B, S	①/②
FA1238B22T5-92	230	50/60	81.2/91.4	4.7/6.2	38.4/42.4	2,500/2,800	90/70	16/11	B, S	③/④
FA1238B22T7-92	230	50/60	85.3/101.5	7.2/8.7	44.3/40.4	2,600/3,000	130/90	21/15	B, S	⑤/⑥

- For "Sleeve" bearing version, change the "B" in the model number to "S".
 - For "Wire Lead" version, change the "T" in the model number to "W".
- Specifications are subject to change without notice



unit: mm(inch)