



Housing: Die-Cast Aluminum, Painted Black
 Blade: Thermoplastic PBT, UL 94V-0
 Insulation Resistance: 100M Ω , 500VDC/min between bare wire and frame
 Dielectric Strength: 1500VAC for one minute
 Operation Temperature: -10°C-70°C(Humidity 35%-85%RH)
 Storage Temperature: -40°C-85°C(Humidity 35%-85%RH)
 Motor Protection: Impedance Protected
 Weight: 520 g

AC AXIAL FAN
120x120x38mm

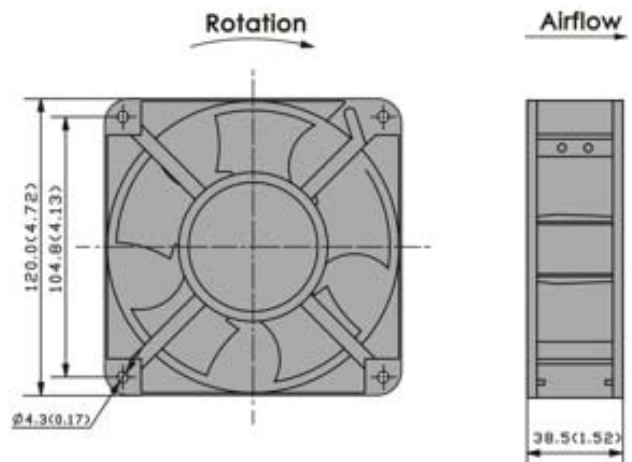
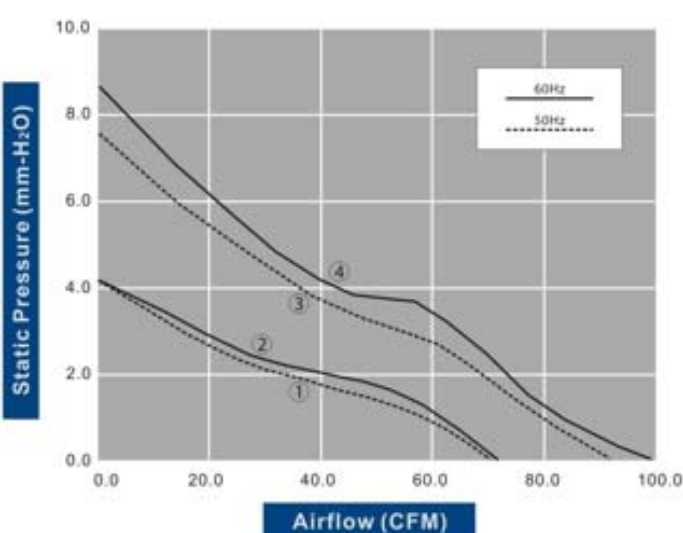


SS IP

Model Number	Voltage (VAC)	Frequency (Hz)	AirFlow (CFM)	Stat.Pres. (mm-H ₂ O)	Noise (dBA)	Speed (RPM)	Current (mA)	Power (W)	Available Bearing	Curves
FA1238B11T5-96	115	50/60	71.1/74.1	4.1/4.1	29.6/34.5	2,300/2,600	150/130	12/10	B,S	①/②
FA1238B11T7-96	115	50/60	91.4/99.5	7.7/8.5	39.4/44.3	2,500/3,000	260/210	20/17	B,S	③/④
FA1238B22T5-96	230	50/60	75.1/63.9	3.9/3.4	33.5/29.6	2,100/1,400	55/52	10/9	B,S	①/②
FA1238B22T7-96	230	50/60	91.4/99.5	7.7/8.0	39.4/46.3	2,500/2,700	95/85	15/13	B,S	③/④

- For "Sleeve" bearing version, change the "B" in the model number to "S".
- For "Wire Lead" version, change the "T" in the model number to "W".

Specifications are subject to change without notice



unit: mm(inch)