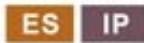




Housing: Die-Cast Aluminum, Painted Black  
 Blade: Injection Molded of Flame Retardant Polycarbonate, Black  
 Insulation Resistance: 100M $\Omega$ , 500VDC/min between bare wire and frame  
 Dielectric Strength: 1500VAC for one minute  
 Operation Temperature: -20°C-70°C(Humidity 35%-85%RH)  
 Storage Temperature: -40°C-85°C(Humidity 35%-85%RH)  
 Motor Protection: Thermal Protected  
 Weight: 1400 g

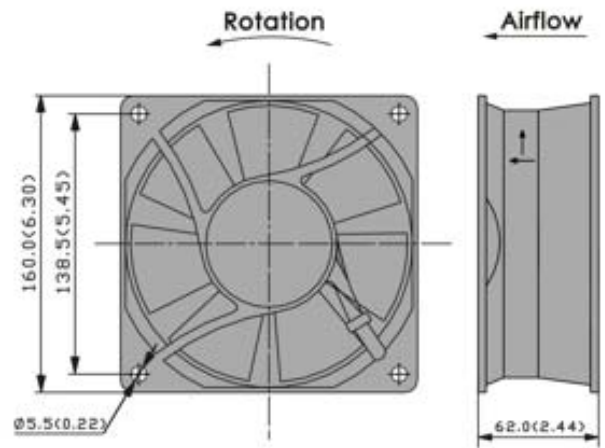
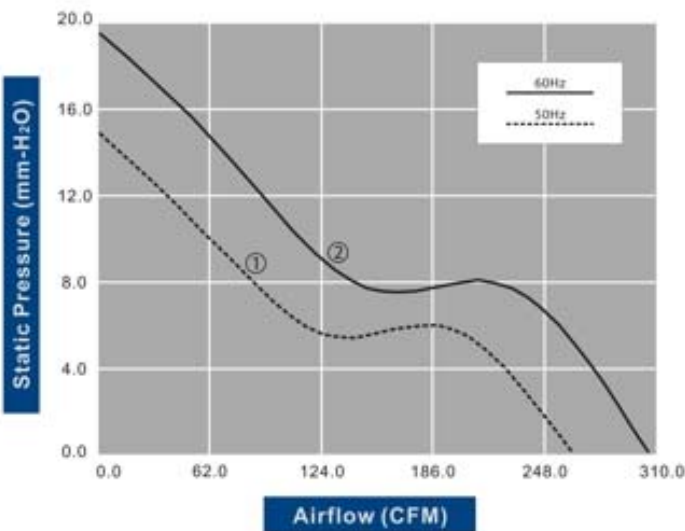
**AC AXIAL FAN**  
**160x160x62mm**  
 (Reverse Blow)



Model Number	Voltage (VAC)	Frequency (Hz)	AirFlow (CFM)	Stat.Pres. (mm-H <sub>2</sub> O)	Noise (dBA)	Speed (RPM)	Current (mA)	Power (W)	Available Bearing	Curves
FA1662B11T7C-51	115	50/60	261.0/307.0	14.7/19.6	60.0/64.0	2,900/3,400	450/500	51/58	B	①/②
FA1662B22T7C-51	230	50/60	261.0/305.0	14.7/19.6	60.0/64.0	2,900/3,400	230/250	51/57	B	①/②

• For "Wire Lead" version, change the "T" in the model number to "W".

Specifications are subject to change without notice



unit: mm(inch)