



Housing: Die-Cast Aluminum, Painted Black  
 Blade: Thermoplastic PBT, UL 94V-0  
 Insulation Resistance: 100M $\Omega$ , 500VDC/min between bare wire and frame  
 Dielectric Strength: 1500VAC for one minute  
 Operation Temperature: -10°C-70°C(Humidity 35%-85%RH)  
 Storage Temperature: -40°C-85°C(Humidity 35%-85%RH)  
 Motor Protection: Impedance Protected  
 Weight: 920 g

**AC AXIAL FAN**  
**172x150x51 mm**

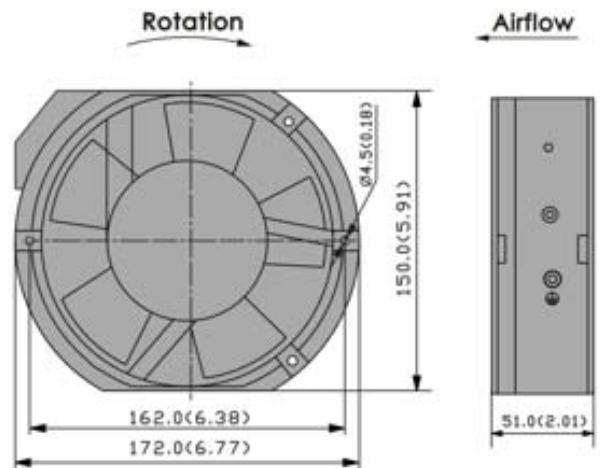
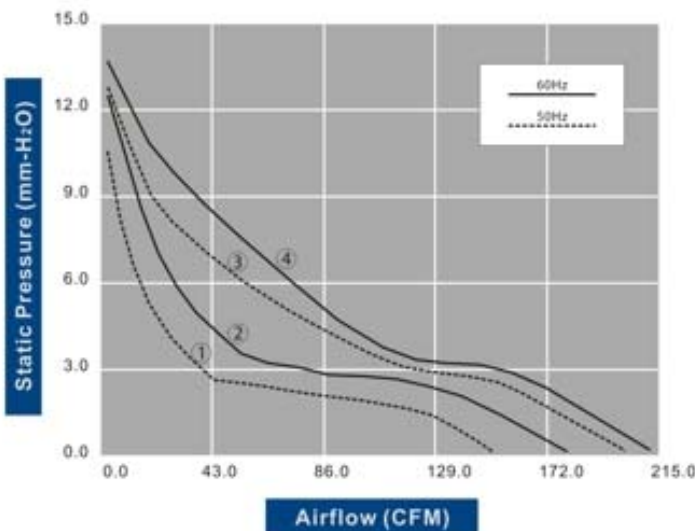


SS IP

Model Number	Voltage (VAC)	Frequency (Hz)	AirFlow (CFM)	Stat.Pres. (mm-H <sub>2</sub> O)	Noise (dBA)	Speed (RPM)	Current (mA)	Power (W)	Available Bearing	Curves
FA1751B11T5-96	115	50/60	141.1/176.6	10.3/12.4	42.4/47.3	2,350/2,550	400/380	28/27	B,S	①/②
FA1751B11T7-96	115	50/60	198.9/211.1	12.6/13.4	47.3/54.2	2,500/2,700	500/440	39/36	B,S	③/④
FA1751B22T5-96	230	50/60	141.1/176.6	10.3/12.4	42.4/47.3	2,350/2,550	180/170	25/24	B,S	①/②
FA1751B22T7-96	230	50/60	198.9/211.1	12.6/13.4	47.3/54.2	2,500/2,700	240/220	37/35	B,S	③/④

- For "Sleeve" bearing version, change the "B" in the model number to "S".
- For "Wire Lead" version, change the "T" in the model number to "W".

Specifications are subject to change without notice



unit: mm(inch)