



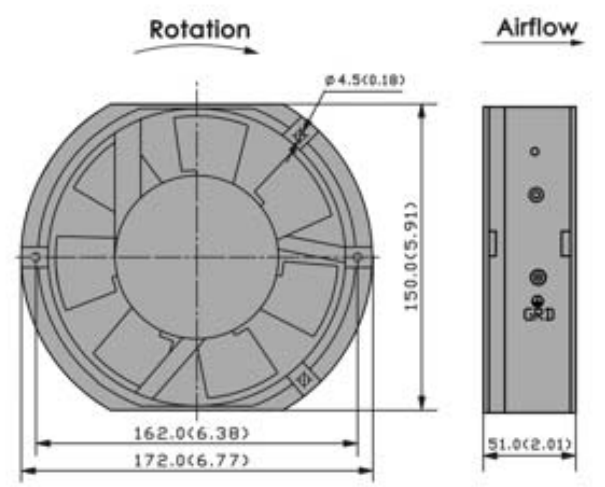
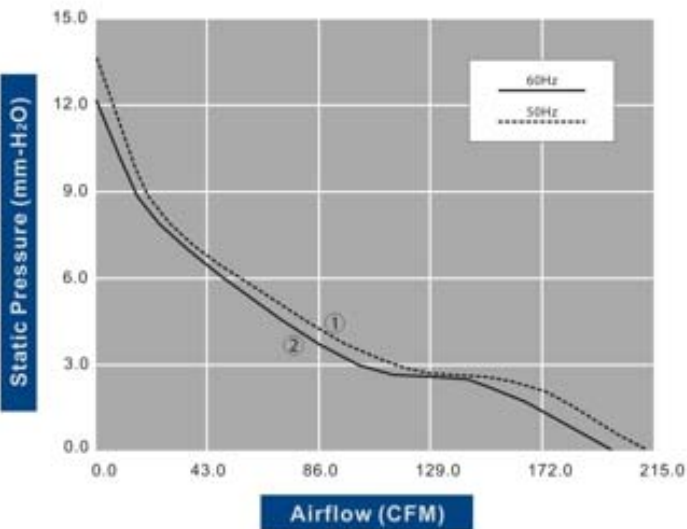
Housing: Die-Cast Aluminum, Painted Black
 Blade: Thermoplastic PBT, UL 94V-0
 Insulation Resistance: 100M Ω , 500VDC/min between bare wire and frame
 Dielectric Strength: 1500VAC for one minute
 Operation Temperature: -10°C-70°C(Humidity 35%-85%RH)
 Storage Temperature: -40°C-85°C(Humidity 35%-85%RH)
 Motor Protection: Impedance Protected
 Weight: 920 g

AC AXIAL FAN
172x150x51mm



Model Number	Voltage (VAC)	Frequency (Hz)	AirFlow (CFM)	Stat.Pres. (mm-H ₂ O)	Noise (dBA)	Speed (RPM)	Current (mA)	Power (W)	Available Bearing	Curves
FA1751B11T7-97	115	50/60	211.1/198.9	13.7/12.1	52.2/60.1	2,500/2,800	660/580	51/47	B,5	①/②
FA1751B22T7-97	230	50/60	211.1/198.9	13.7/12.1	52.2/60.1	2,600/2,000	250/230	38/36	B,5	①/②

• For "Sleeve" bearing version, change the "B" in the model number to "S".
 • For "Wire Lead" version, change the "T" in the model number to "W".
 Specifications are subject to change without notice



unit: mm(inch)