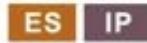




Housing: Die-Cast Aluminum, Painted Black  
 Blade: Thermoplastic PBT, UL 94V-0  
 Insulation Resistance: 100M $\Omega$ , 500VDC/min between bare wire and frame  
 Dielectric Strength: 1500VAC for one minute  
 Operation Temperature: -20°C-70°C(Humidity 35%-85%RH)  
 Storage Temperature: -40°C-85°C(Humidity 35%-85%RH)  
 Motor Protection: Thermal Protected  
 Weight: 875 g

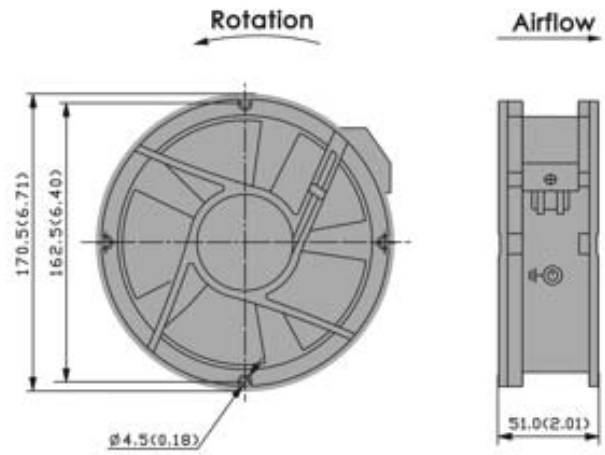
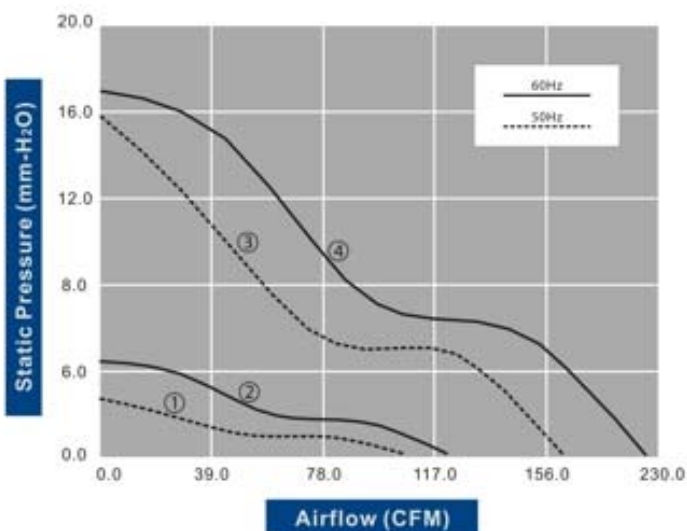
**AC AXIAL FAN**  
**Ø 170x51mm**



Model Number	Voltage (VAC)	Frequency (Hz)	AirFlow (CFM)	Stat.Pres. (mm-H <sub>2</sub> O)	Noise (dBA)	Speed (RPM)	Current (mA)	Power (W)	Available Bearing	Curves
FA1751B11T5C-51	115	50/60	100.0/121.0	4.6/6.4	39.0/44.0	1,450/1,750	150/150	17/16	B	①/②
FA1751B11T7C-51	115	50/60	195.0/225.0	15.5/16.8	57.0/61.0	2,900/3,300	220/280	25/31	B	③/④
FA1751B22T5C-51	230	50/60	101.0/120.0	4.6/6.4	39.0/44.0	1,450/1,750	60/60	14/13	B	①/②
FA1751B22T7C-51	230	50/60	195.0/225.0	15.5/16.8	57.0/61.0	2,900/3,300	110/140	24/30	B	③/④

• For "Wire Lead" version, change the "T" in the model number to "W".

Specifications are subject to change without notice



unit: mm(inch)