



Housing: Die-Cast Aluminum, Painted Black
 Blade: Thermoplastic UL 94V-0 P.B.T.
 Insulation Resistance: 100M Ω , 500VDC/min between bare wire and frame
 Dielectric Strength: 1500VAC for one minute
 Operation Temperature: -10°C-70°C(Humidity 35%-85%RH)
 Storage Temperature: -40°C-85°C(Humidity 35%-85%RH)
 Motor Protection: Thermal Protected
 Weight: 870 g

AC AXIAL FAN
172x150x55mm

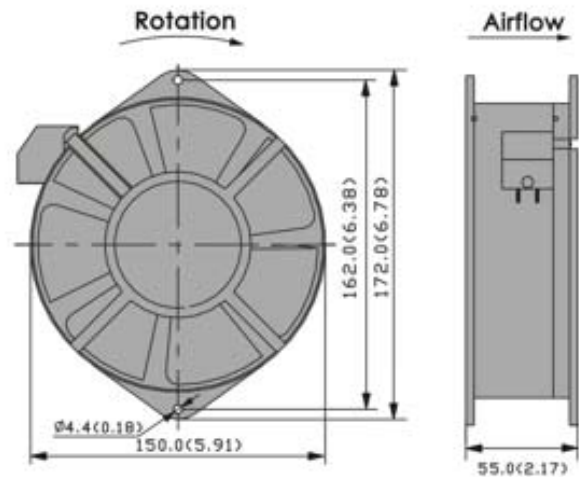
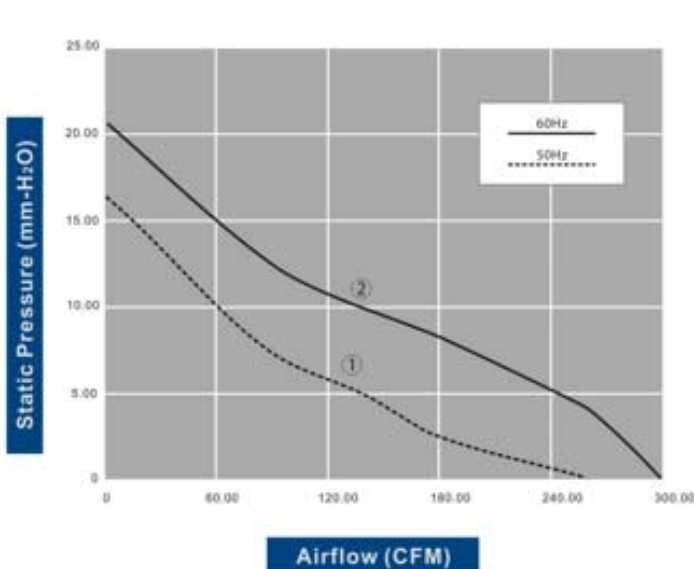


SS IP

Model Number	Voltage VAC	Frequency Hz	AirFlow CFM	Stat.Pres. mm-H ₂ O	Noise dBA	Speed RPM	Current mA	Power W	Avail Bearing	Curves
FA1755B11T7C-31	115	50/60	253.8/297.40	16.2/20.3	55.2/60.1	2,850/3,300	350/400	46/50	B,S	①/②
FA1755B22T7C-31	230	50/60	253.8/297.40	16.2/20.3	55.2/60.1	2,850/3,300	350/400	46/50	B,S	①/②

- For "Sleeve" bearing version, change the "B" in the model number to "S".
- For "Wire Lead" version, change the "T" in the model number to "W".

Specification are subject to change without notice



unit: mm(inch)