



Housing: Die-Cast Aluminum, Painted Black  
 Blade: Thermoplastic UL 94V-0 P.B.T.  
 Insulation Resistance: 100M $\Omega$ , 500VDC/min between bare wire and frame  
 Dielectric Strength: 1500VAC for one minute  
 Operation Temperature: -10°C-70°C(Humidity 35%-85%RH)  
 Storage Temperature: -40°C-85°C(Humidity 35%-85%RH)  
 Motor Protection: Thermal Protected  
 Weight: 850 g

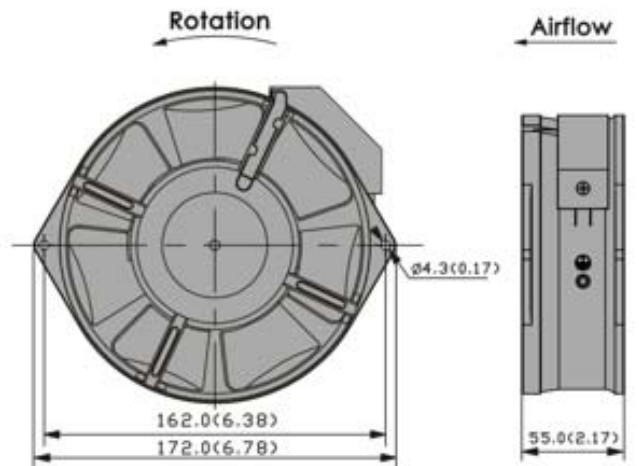
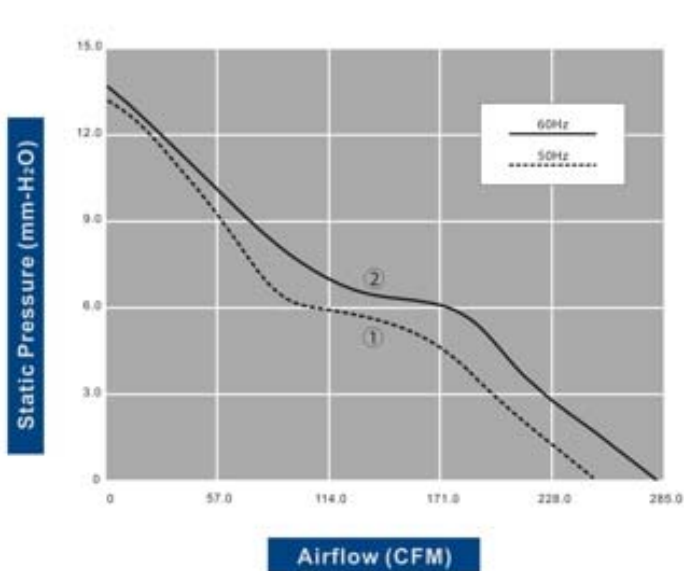
**AC AXIAL FAN**  
**172x150x55mm**



**SS IP**

Model Number	Voltage VAC	Frequency Hz	Air Flow CFM	Stat.Pres. mm-H <sub>2</sub> O	Noise dBA	Speed RPM	Current mA	Power W	Avail Bearing	Curves
FA1755B11T7C-91 ※	115	50/60	248.7/284.2	12.9/14.2	49.3/53.2	2,850/3,350	230/270	28/31	B	①/②
FA1755B22T7C-91 ※	230	50/60	248.7/284.2	12.9/14.2	49.3/53.2	2,850/3,350	140/180	35/40	B	①/②

- If model with "※", the safety is pending.
  - For Wire lead version, change "T" in the model number to "W".
- Specification are subject to change without notice



unit: mm(inch)