



Housing: Die-Cast Aluminum, Painted Black

Blade: Iron in Black

Insulation Resistance: 100M $\Omega$ , 500VDC/min between bare wire and frame

Dielectric Strength: 1500VAC for one minutue

Operation Temperature: -10°C-70°C(Humidity 35%-85%RH)

Storage Temperature: -40°C-85°C(Humidity 35%-85%RH)

Motor Protection: Thermal Protected

Weight: 850 g

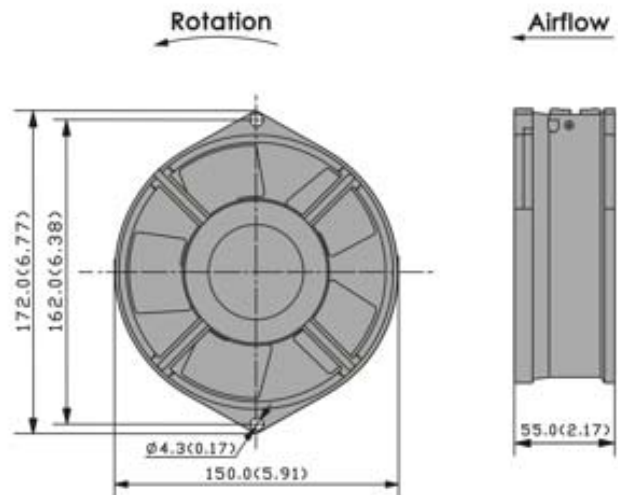
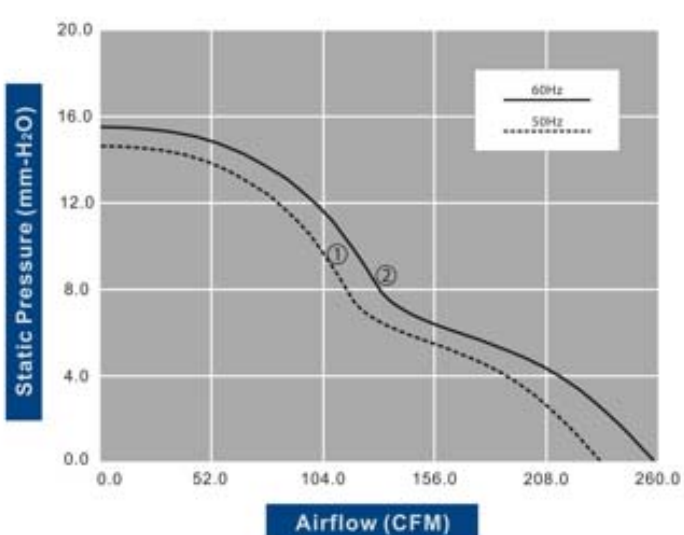
**AC AXIAL FAN**  
**172x150x55mm**  
 (Metal Impeller)



SS

Model Number	Voltage (VAC)	Frequency (Hz)	AirFlow (CFM)	Stat.Pres. (mm-H <sub>2</sub> O)	Noise (dBA)	Speed (RPM)	Current (mA)	Power (W)	Available Bearing	Curves
FA1755B11W7C-93	115	50/60	233.5/258.8	14.2/15.4	50.2/54.2	2,800/3,200	250/230	29/28	B	①/②
FA1755B22W7C-93	230	50/60	228.4/253.8	13.9/15.2	50.2/54.2	2,750/3,200	140/120	28/27	B	①/②

Specifications are subject to change without notice



unit: mm(inch)