



Housing: Die-Cast Aluminum, Painted Black
 Blade: Thermoplastic PBT, UL 94V-0
 Insulation Resistance: 100M Ω , 500VDC/min between bare wire and frame
 Dielectric Strength: 1500VAC for one minute
 Operation Temperature: -10°C-70°C(Humidity 35%-85%RH)
 Storage Temperature: -40°C-85°C(Humidity 35%-85%RH)
 Motor Protection: Impedance Protected
 Weight: 1700 g

AC AXIAL FAN
Ø 220x60mm



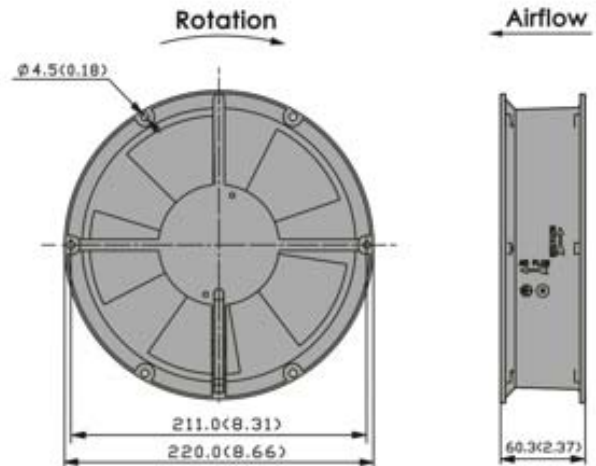
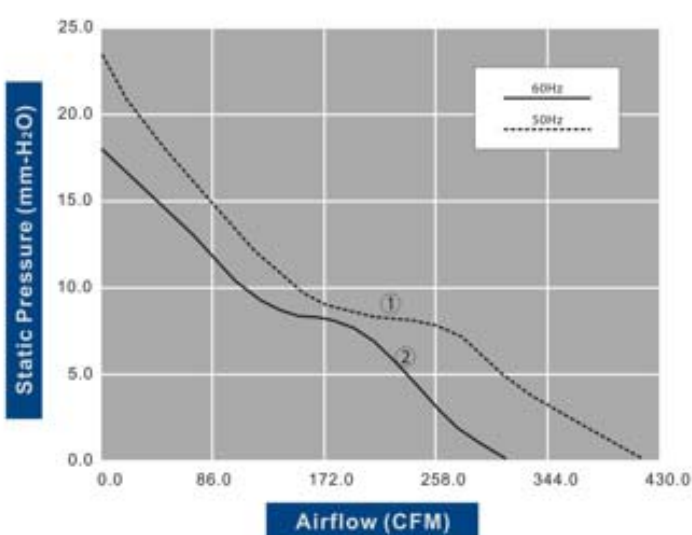
SS

IP

Model Number	Voltage (VAC)	Frequency (Hz)	AirFlow (CFM)	Stat.Pres. (mm-H ₂ O)	Noise (dBA)	Speed (RPM)	Current (mA)	Power (W)	Available Bearing	Curves
FA2260B11T7-96	115	50/60	426.3/315.7	23.7/17.5	64.0/54.2	2,500/1,850	720/850	56/63	B, S	①/②
FA2260B22T7-96	230	50/60	426.3/315.7	23.7/17.5	64.0/54.2	2,500/1,850	350/420	56/63	B, S	①/②

- For "Sleeve" bearing version, change the "B" in the model number to "S".
- For "Wire Lead" version, change the "T" in the model number to "W".

Specification are subject to change without notice



unit: mm(inch)