



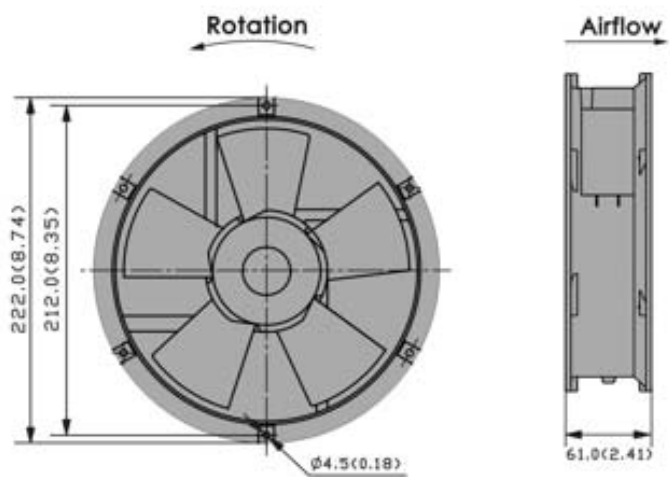
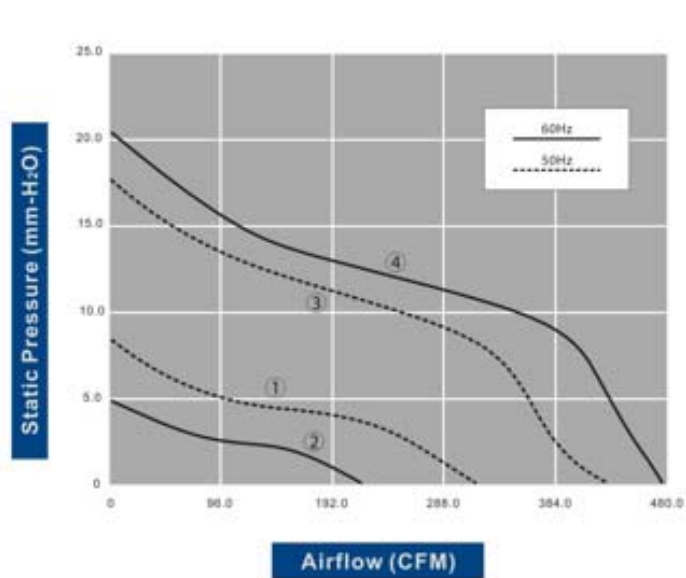
Housing: Die-Cast Aluminum, Painted Black
 Blade: Thermoplastic UL 94V-0 P.B.T.
 Insulation Resistance: 100M.Ω , 500VDC/min between bare wire and frame
 Dielectric Strength: 1500VAC for one minutue
 Operation Temperature: -10°C-70°C(Humidity 35%-85%RH)
 Storage Temperature: -40°C-85°C(Humidity 35%-85%RH)
 Motor Protection: Impedance Protected/Thermal Protected
 Weight: 1430 g

AC AXIAL FAN
 Ø 222x61mm



Model Number	Voltage VAC	Frequency Hz	AirFlow CFM	Stat.Pres. mm-H ₂ O	Noise dBA	Speed RPM	Current mA	Power W	Avail Bearing	Curves
FA2260B11T7C-91	115	50/60	314.7/213.2	7.2/4.9	53.2/49.3	2,300/1,500	650/600	50/55	B	①/②
FA2260B11T9C-91	115	50/60	426.3/477.1	17.6/20.1	60.1/65.0	2,800/3,200	420/350	49/37	B	③/④
FA2260B22T7C-91	230	50/60	314.7/213.2	7.2/4.9	53.2/49.3	2,300/1,500	270/260	43/38	B	①/②
FA2260B22T9C-91	230	50/60	426.3/477.1	17.6/20.1	60.1/65.0	2,800/3,200	220/270	50/55	B	③/④

• For "Wire Lead" version, change the "T" in the model number to "W". Specification are subject to change without notice



unit: mm(inch)