



Housing: Die-Cast Aluminum, Painted Black  
 Blade: Thermoplastic PBT, UL 94V-0  
 Insulation Resistance: 100M $\Omega$ , 500VDC/min between bare wire and frame  
 Dielectric Strength: 1500VAC for one minute  
 Operation Temperature: -10°C-70°C(Humidity 35%-85%RH)  
 Storage Temperature: -40°C-85°C(Humidity 35%-85%RH)  
 Motor Protection: Impedance Protected  
 Weight: 1900 g

**AC AXIAL FAN**  
 Ø 254x89mm



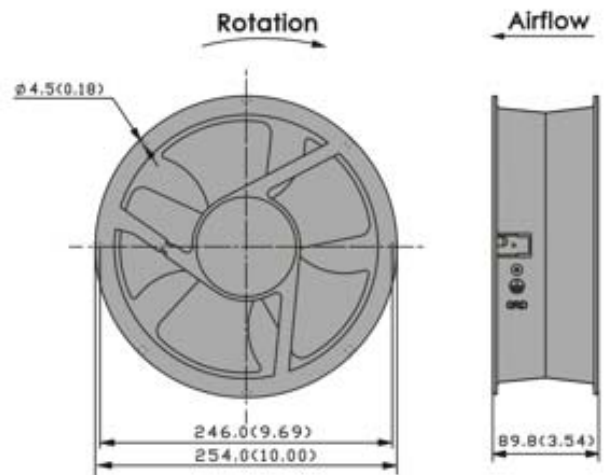
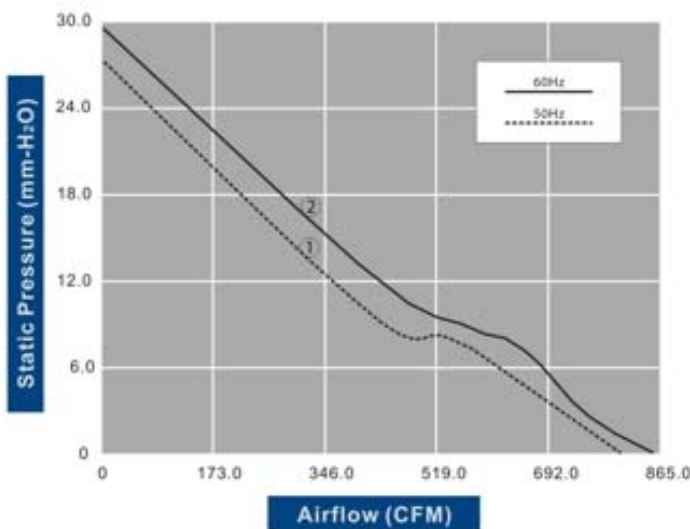
SS IP

● High Airflow

| Model Number   | Voltage (VAC) | Frequency (Hz) | AirFlow (CFM) | Stat.Pres. (mm-H <sub>2</sub> O) | Noise (dBA) | Speed (RPM) | Current (mA) | Power (W) | Available Bearing | Curves |
|----------------|---------------|----------------|---------------|----------------------------------|-------------|-------------|--------------|-----------|-------------------|--------|
| FA2589B22T7-96 | 230           | 50/60          | 812.0/862.8   | 27.3/29.1                        | 67.0/69.0   | 2,600/2,700 | 210/290      | 46/63     | B,S               | ①/②    |

- For "Sleeve" bearing version, change the "B" in the model number to "S".
- For "Wire Lead" version, change the "T" in the model number to "W".

Specifications are subject to change without notice



unit: mm(inch)