



Housing: Die-Cast Aluminum, Painted Black
 Blade: Thermoplastic UL 94V-0 P.B.T.
 Insulation Resistance: 100M Ω , 500VDC/min between bare wire and frame
 Dielectric Strength: 1500VAC for one minute
 Operation Temperature: -10°C-70°C(Humidity 35%-85%RH)
 Storage Temperature: -40°C-85°C(Humidity 35%-85%RH)
 Motor Protection: Thermal Protected
 Weight: 2150 g

AC AXIAL FAN
Ø 254x89mm

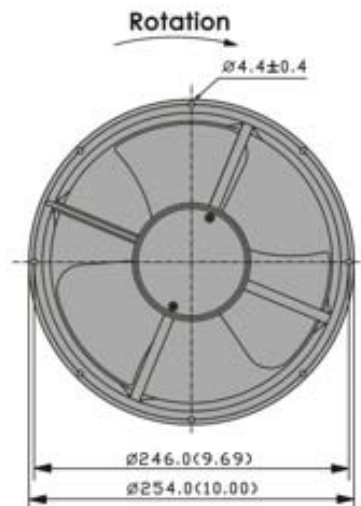
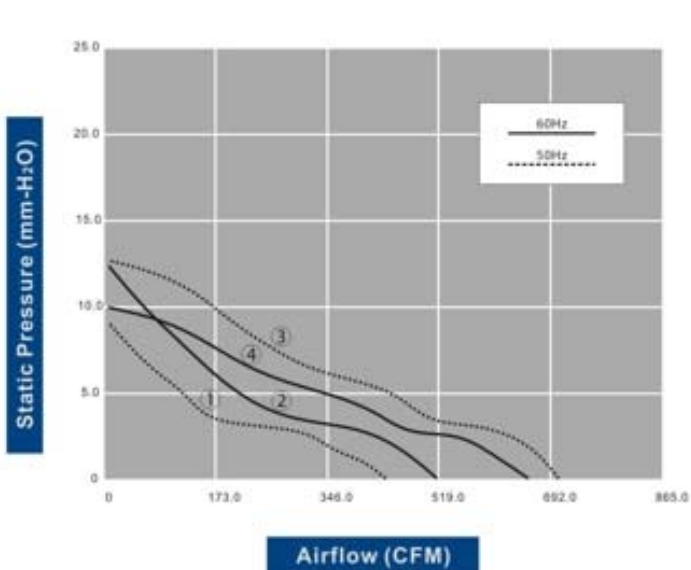


SS IP

Model Number	Voltage VAC	Frequency Hz	AirFlow CFM	Stat.Pres. mm-H ₂ O	Noise dBA	Speed RPM	Current mA	Power W	Avail. Bearing	Curves
FA2589B11T7C-31	115	50/60	429.3/510.5	9.0/12.1	51.2/54.2	1,400/1,650	280/300	32/35	B	①/②
FA2589B11T9C-31	115	50/60	695.3/649.6	12.4/9.9	59.1/58.1	2,200/2,100	580/700	65/78	B	③/④
FA2589B22T7C-31	230	50/60	429.3/510.5	9.0/12.1	51.2/54.2	1,400/1,650	160/170	32/35	B	①/②
FA2589B22T9C-31	230	50/60	695.3/649.6	12.4/9.9	59.1/58.1	2,200/2,100	290/350	65/78	B	③/④

• For "Wire Lead" version, change the "T" in the model number to "W".

Specification are subject to change without notice



unit: mm(inch)