



Housing: Die-Cast Aluminum, Painted Black
 Blade: Injection Molded of Flame Retardant Polycarbonate, Black
 Insulation Resistance: 100M Ω , 500VDC/min between bare wire and frame
 Dielectric Strength: 1500VAC for one minute
 Operation Temperature: -20°C-70°C(Humidity 35%-85%RH)
 Storage Temperature: -40°C-85°C(Humidity 35%-85%RH)
 Motor Protection: Thermal Protected
 Weight: 1600 g

AC AXIAL FAN
 Ø 254x89mm



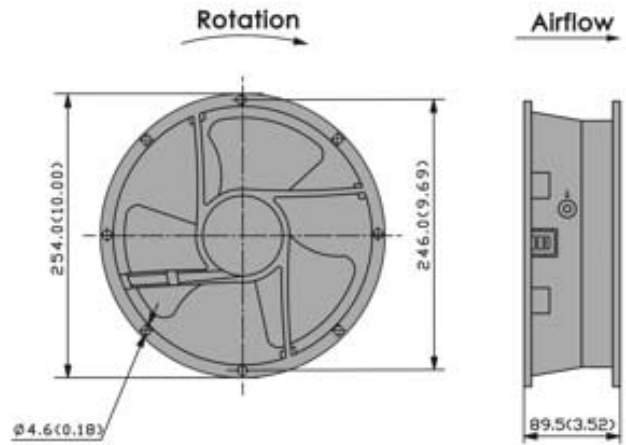
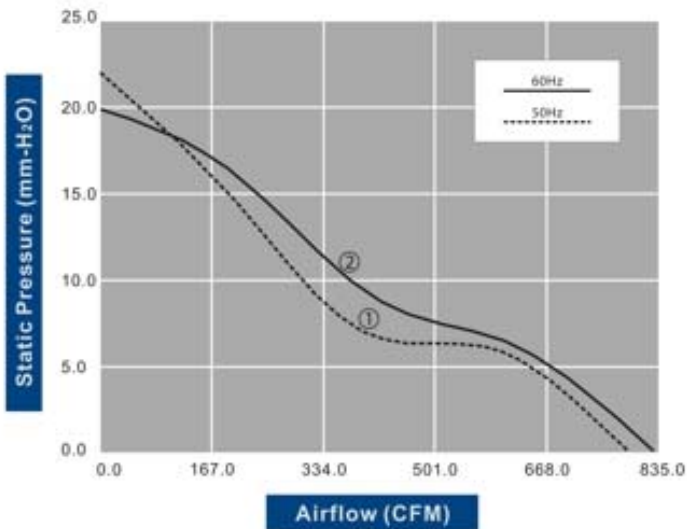
ES IP

● High Airflow

Model Number	Voltage (VAC)	Frequency (Hz)	AirFlow (CFM)	Stat.Pres. (mm-H ₂ O)	Noise (dBA)	Speed (RPM)	Current (mA)	Power (W)	Available Bearing	Curves
FA2589B11T7C-52	115	50/60	780.0/834.0	21.8/19.8	68.0/70.0	2,550/2,700	950/1150	97/129	B	①/②
FA2589B22T7C-52	230	50/60	785.0/835.0	21.8/19.8	68.0/70.0	2,600/2,700	550/600	98/130	B	①/②

• For "Wire Lead" version, change the "T" in the model number to "W".

Specifications are subject to change without notice



unit: mm(inch)