

Housing: Die-Cast Aluminum, Painted Black
 Blade: Thermoplastic PBT, UL 94V-0
 Insulation Resistance: 100MΩ, 500VDC/min between bare wire and frame
 Dielectric Strength: 1500VAC for one minute
 Operation Temperature: -10°C-70°C(Humidity 35%-85%RH)
 Storage Temperature: -40°C-85°C(Humidity 35%-85%RH)
 Motor Protection: Impedance Protected
 Weight: 150 g

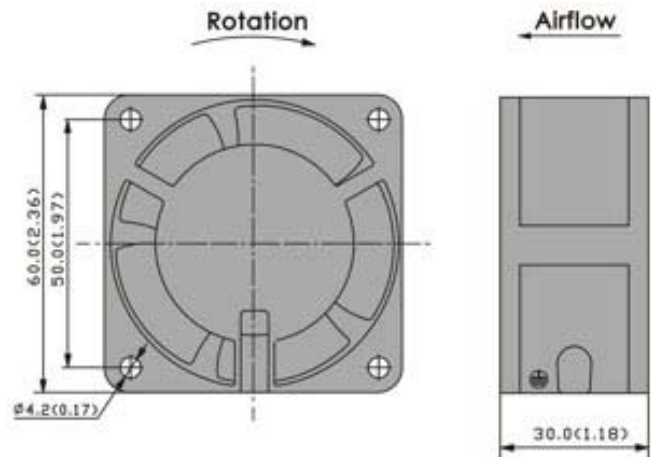
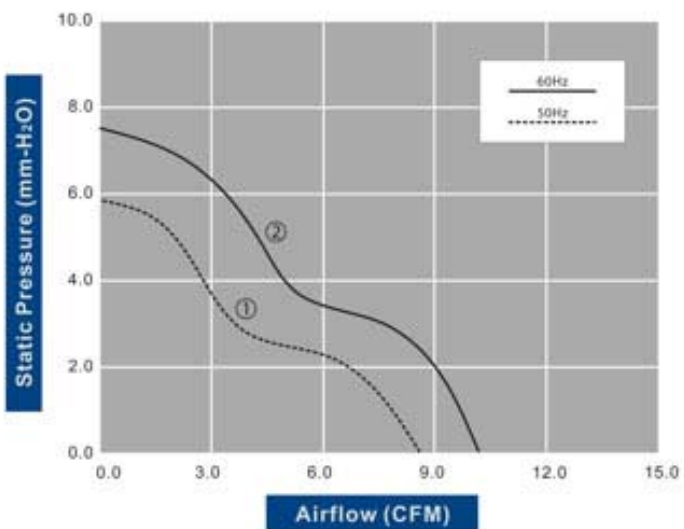
AC AXIAL FAN
60x60x30mm



SS

Model Number	Voltage (VAC)	Frequency (Hz)	AirFlow (CFM)	Stat.Pres. (mm-H ₂ O)	Noise (dBA)	Speed (RPM)	Current (mA)	Power (W)	Available Bearing	Curves
FA6030B11W7-91	115	50/60	8.2/10.4	5.9/7.5	26.6/27.6	2,400/3,000	42/40	6/5	B	①/②
FA6030B22W7-91	230	50/60	8.2/10.4	5.9/7.5	26.6/27.6	2,400/3,000	40/30	6/5	B	①/②

Specifications are subject to change without notice



unit: mm(inch)