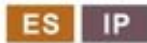




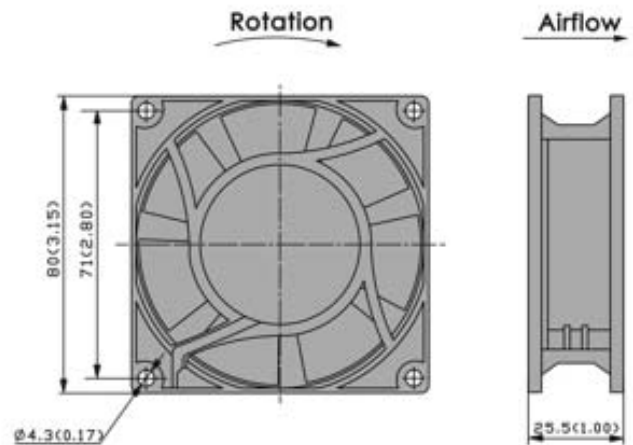
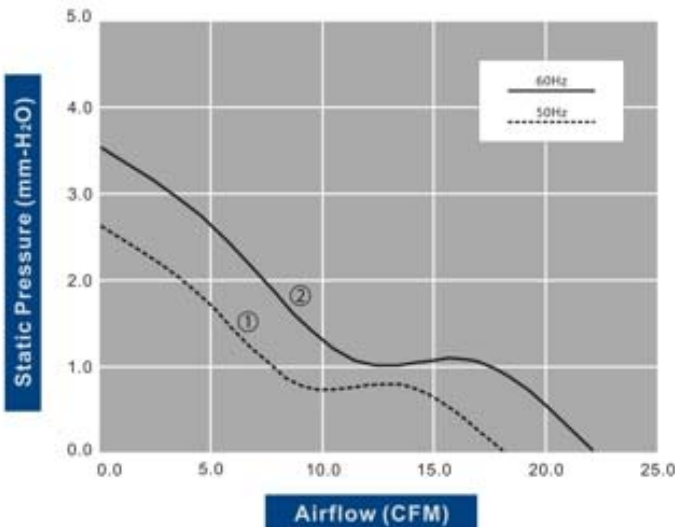
Housing: Die-Cast Aluminum, Painted Black  
 Blade: Thermoplastic PBT, UL 94V-0  
 Insulation Resistance: 100M $\Omega$ , 500VDC/min between bare wire and frame  
 Dielectric Strength: 1500VAC for one minute  
 Operation Temperature: -20°C-70°C(Humidity 35%-85%RH)  
 Storage Temperature: -40°C-85°C(Humidity 35%-85%RH)  
 Motor Protection: Impedance Protected  
 Weight: 223 g

**AC AXIAL FAN**  
**80x80x25mm**



Model Number	Voltage (VAC)	Frequency (Hz)	AirFlow (CFM)	Stat.Pres. (mm-H <sub>2</sub> O)	Noise (dBA)	Speed (RPM)	Current (mA)	Power (W)	Available Bearing	Curves
FA8025B11T7-51	115	50/60	18.0/22.0	2.6/3.5	25.0/32.0	2,400/2,900	70/60	6/5	B, S	①/②
FA8025B22T7-51	230	50/60	18.0/22.0	2.6/3.5	25.0/32.0	2,400/3,000	50/40	9/7	B, S	①/②

- For "Sleeve" bearing version, change the "B" in the model number to "S";
  - For "Wire Lead" version, change the "T" in the model number to "W";
- Specifications are subject to change without notice



unit: mm(inch)