



Housing: Die-Cast Aluminum, Painted Black
 Blade: Thermoplastic PBT, UL 94V-0
 Insulation Resistance: 100M Ω , 500VDC/min between bare wire and frame
 Dielectric Strength: 1500VAC for one minute
 Operation Temperature: -10°C-70°C(Humidity 35%-85%RH)
 Storage Temperature: -40°C-85°C(Humidity 35%-85%RH)
 Motor Protection: Impedance Protected
 Weight: 260 g

AC AXIAL FAN
92x92x25mm

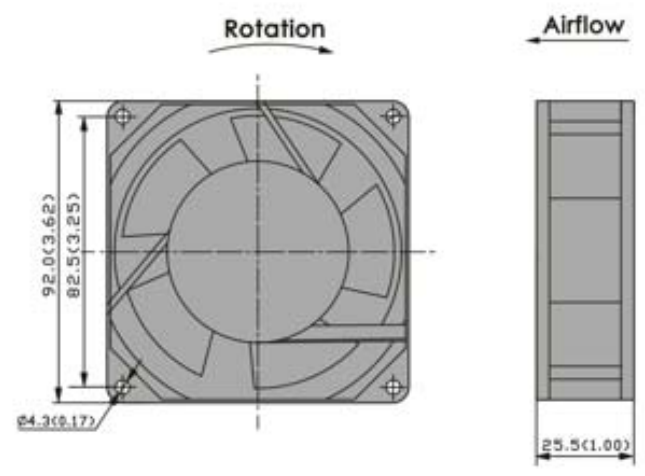
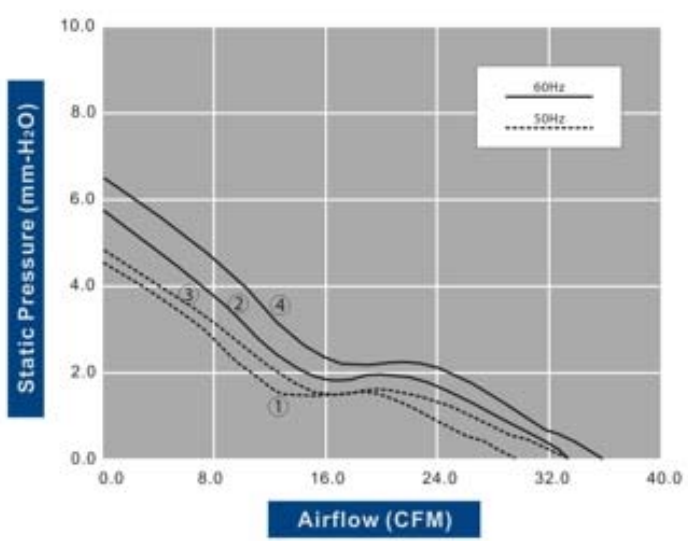


SS IP

Model Number	Voltage (VAC)	Frequency (Hz)	AirFlow (CFM)	Stat.Pres. (mm-H ₂ O)	Noise (dBA)	Speed (RPM)	Current (mA)	Power (W)	Available Bearing	Curves
FA9225B11T5-96	115	50/60	29.4/33.5	4.4/5.9	33.5/35.5	2,300/2,800	130/110	12/10	B,5	①/②
FA9225B11T7-96	115	50/60	33.5/36.5	4.6/6.4	35.5/37.4	2,400/2,900	140/120	13/11	B,5	③/④
FA9225B22T5-96	230	50/60	29.4/33.5	4.4/5.9	33.5/35.5	2,300/2,800	60/50	11/9	B,5	①/②
FA9225B22T7-96	230	50/60	33.5/36.5	4.6/6.4	35.5/37.4	2,400/2,900	65/55	12/10	B,5	③/④

- For "Sleeve" bearing version, change the "B" in the model number to "S".
- For "Wire Lead" version, change the "T" in the model number to "W".

Specifications are subject to change without notice



unit: mm(inch)