



Housing: Die-Cast Aluminum, Painted Black  
 Blade: Thermoplastic UL 94V-0 P.B.T.  
 Insulation Resistance: 100M $\Omega$ , 500VDC/min between bare wire and frame  
 Dielectric Strength: 1500VAC for one minute  
 Operation Temperature: -20°C-70°C(Humidity 35%-85%RH)  
 Storage Temperature: -40°C-85°C(Humidity 35%-85%RH)  
 Motor Protection: Thermal Protected  
 Weight: 350 g

**AC AXIAL FAN**  
**92x92x38mm**

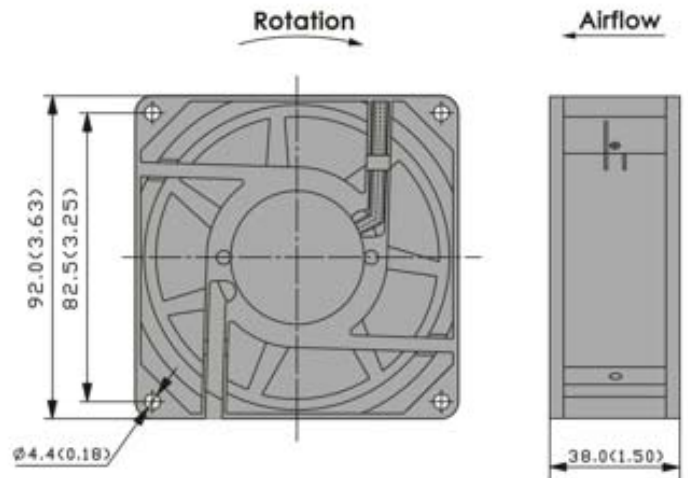
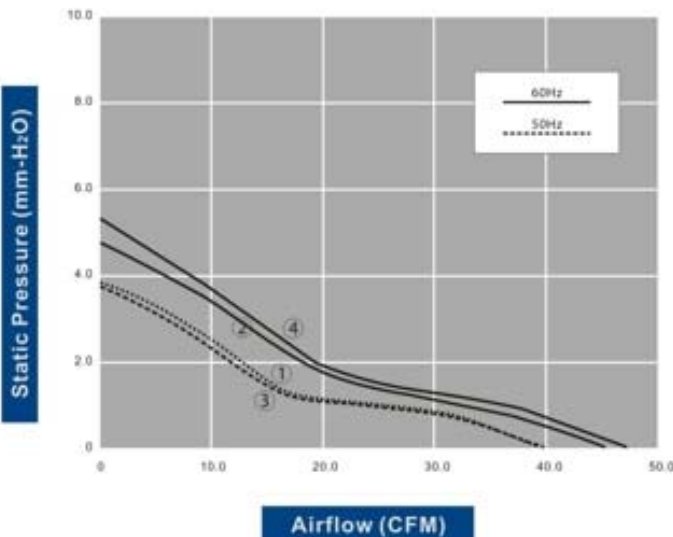


**ES IP**

Model Number	Voltage VAC	Frequency Hz	AirFlow CFM	Stat.Pres. mm-H <sub>2</sub> O	Noise dBA	Speed RPM	Current mA	Power W	Avail Bearing	Curves
FA9238811T5-31	115	50/60	38.6/44.7	3.8/4.7	25.6/27.6	2,250/2,600	120/90	9/7	B, S	①/②
FA9238811T7-31	115	50/60	39.6/46.7	3.7/5.3	26.6/31.5	2,350/2,750	230/180	17/13	B, S	③/④
FA9238822T5-31	230	50/60	38.6/44.7	3.8/4.7	25.6/27.6	2,250/2,600	70/60	11/8	B, S	①/②
FA9238822T7-31	230	50/60	39.6/46.9	3.7/5.3	26.6/31.5	2,350/2,750	100/80	17/13	B, S	③/④

- For "Sleeve" bearing version, change the "B" in the model number to "S".
- For "Wire Lead" version, change the "T" in the model number to "W".

Specification are subject to change without notice



unit: mm (inch)