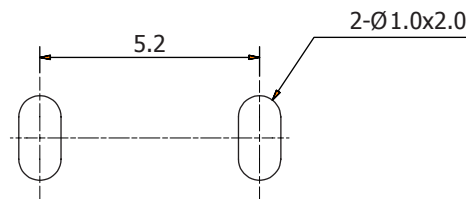
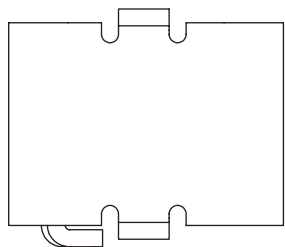
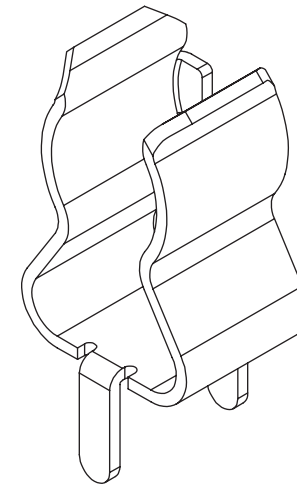
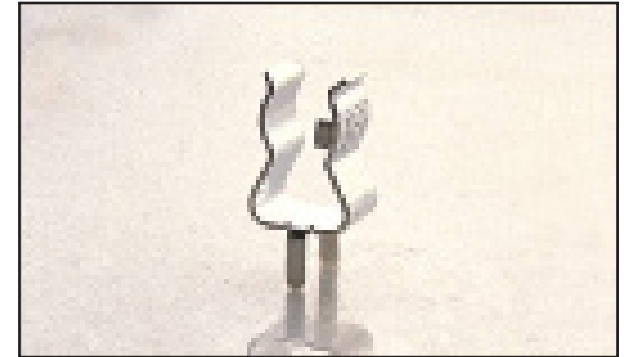
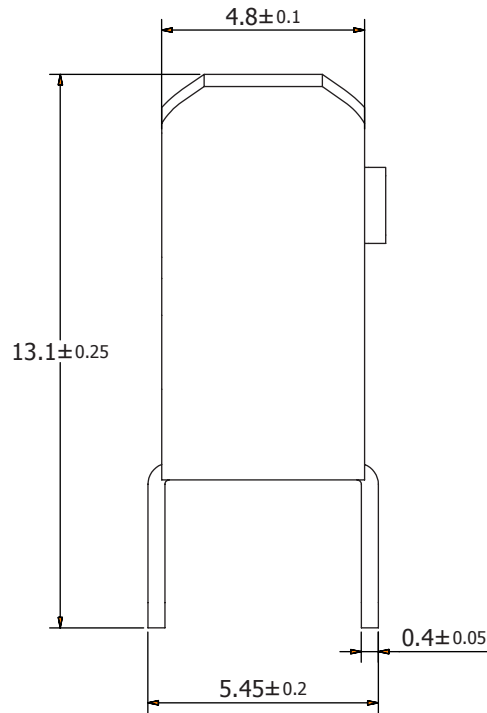
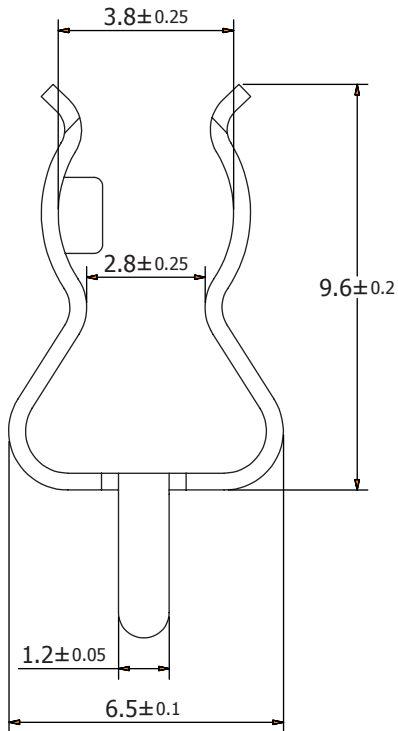




FC-520-51
 Fuse Clip P.C. Board Type for
 5.2 x 20mm Diameter Fuse



RECOMMEND MOUNTING HOLES

Specifications:

Electrical:	Max. 10A
Material:	Brass Thickness, 0.4mm, Bright Tin Plated
Type:	Ear Type

Specifications are subject to change without notice.