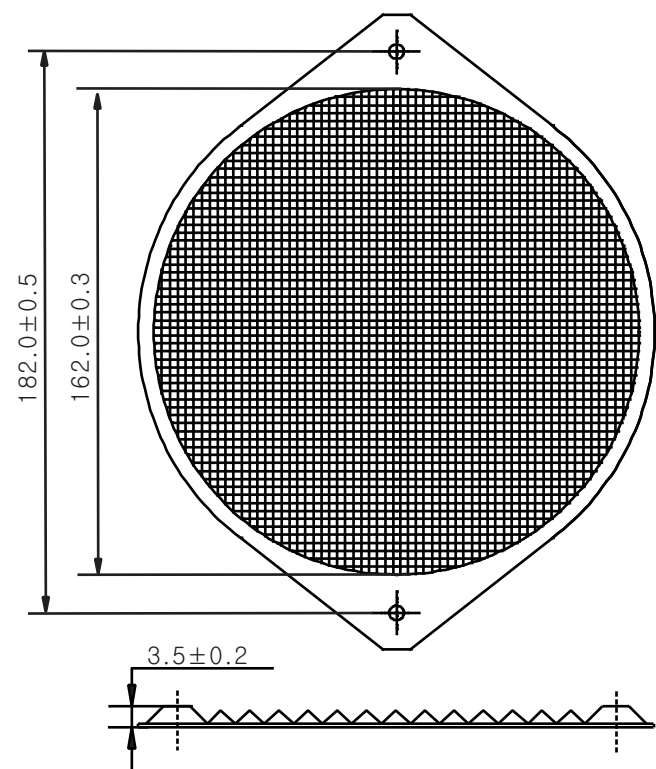


1 2 3 4 5 6 7 8 9 10

A  
B  
C  
D  
E  
F  
G  
H  
I  
J


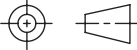


Fits for Fan Size:

172x150x38mm; 172x150x55mm

Specifications:

- \* Frame: Aluminum with 1.6mm thickness.
- \* Mesh: 30\*30 mesh convoluted approx 1/8" deep with approx. 3/16" pitch.
- \* General tolerance: unless noted  $\pm 0.5$ mm.

TITLE		PART DRAWING		REV	CHANGES	BY/DATE	APPD/DATE
PART NAME		ALUMINUM FAN FILTER		<b>COOLTRON INDUSTRIAL SUPPLY, INC.</b> 			
PART NO.		FFA-162A-1					
MODEL NO.				LINEAR (0.50] ±0.10 ±0.05 (50,100] ±0.20 ±0.10 (100,+∞] ±0.30 ±0.15		ANGLAR X. ±0.5° X.X ±0.1°	
APPD.	DATE			PROJECTION: 		UNIT	MM
CHECK	DATE			MATERIAL		SCALE	
DRAWING	TONY	DATE	8/10/2007	FINISH		DWG NO.	REV