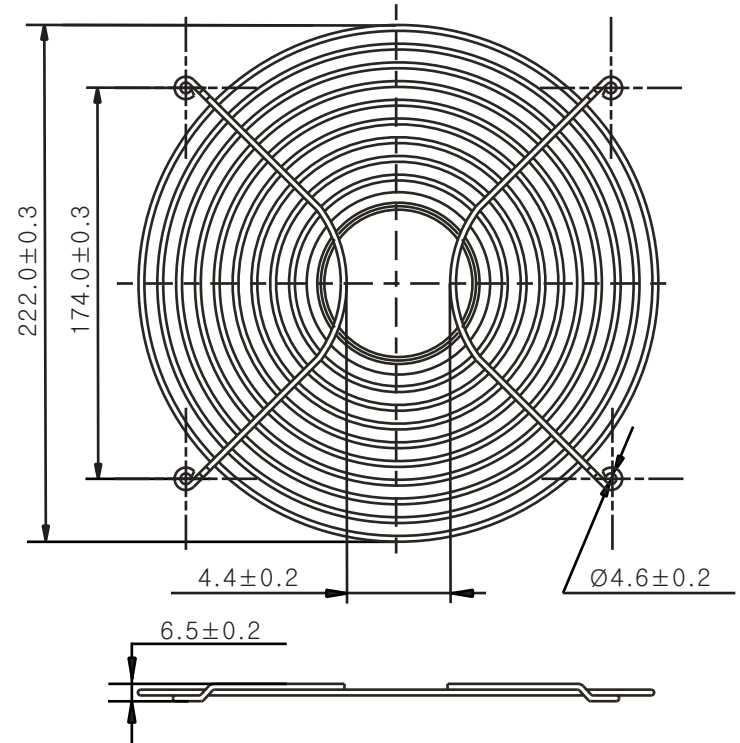


1 2 3 4 5 6 7 8 9 10


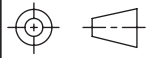
A
B
C
D
E
F
G
H
I
J



Fits for Fan Size:
Ø254x89mm

Specifications:

- * Materials: Bright basic wire.
- * Finish: bright nickel chrome plating.
- * (1) Rings are Ø2.3mm
- * (2) Ribs are Ø2.3mm
- * Weld joints to withstand 220 lbs pull force.
- * Part meets Ø6.35mm plug gauge test.
- * Flat with Thru-hole style.

TITLE		PART DRAWING		REV	CHANGES	BY/DATE	APPD/DATE
PART NAME		WIRE FORM FAN GUARD		COOLTRON INDUSTRIAL SUPPLY, INC. 			
PART NO.		FGW-250A-1					
MODEL NO.				LINEAR (0.50] ±0.10 ±0.05 (50,100] ±0.20 ±0.10 (100,+∞] ±0.30 ±0.15		ANGLULAR X. ±0.5° X.X ±0.1°	
APPD.	DATE			PROJECTION: 		UNIT	MM
CHECK	DATE			MATERIAL		SCALE	
DRAWING	TONY	DATE	8/10/2007	FINISH		DWG NO.	REV