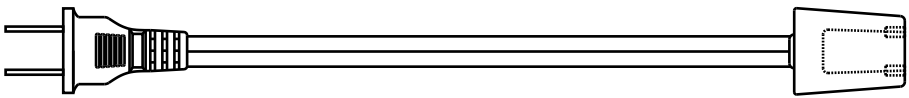
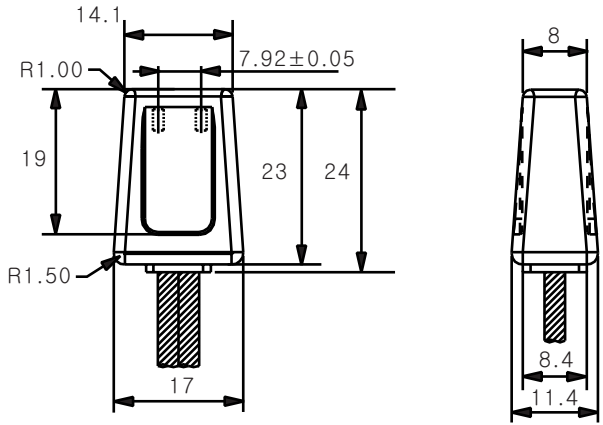


1 2 3 4 5 6 7 8 9 10


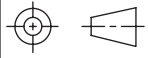
A
B
C
D
E
F
G
H
I
J



Part Number	Cord Length	
	mm	inch
FPC-S12P	305	12
FPC-S24P	610	24
FPC-S36P	915	36
FPC-S48P	1220	48
FPC-S60P	1525	60
FPC-S72P	1830	72
FPC-S84P	2130	84
FPC-S96P	2440	96
FPC-S108P	2745	108
FPC-S120P	3050	120

Specifications:

- * UL Listed-CSA approved.
- * Cordage:
SPT-1(2) conductor black 105C volt.
- * 180° Style connector (S Type).

TITLE	PART DRAWING	REV	CHANGES	BY/DATE	APPD/DATE
PART NAME		COOLTRON INDUSTRIAL SUPPLY, INC.			
PART NO.					
MODEL NO.		LINEAR .X .XX (0.50] ±0.10 ±0.05 (50,100] ±0.20 ±0.10 (100,+∞] ±0.30 ±0.15		ANGLAR X. ±0.5° X.X ±0.1°	
APPD.	DATE	PROJECTION:		UNIT	MM
CHECK	DATE			SCALE	
DRAWING	TONY	DATE	8/10/2007	MATERIAL	QTY/U
				DWG NO.	REV