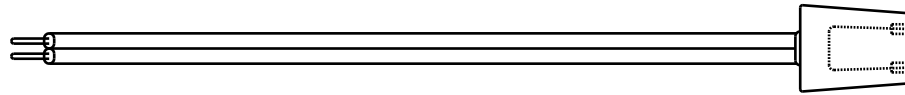
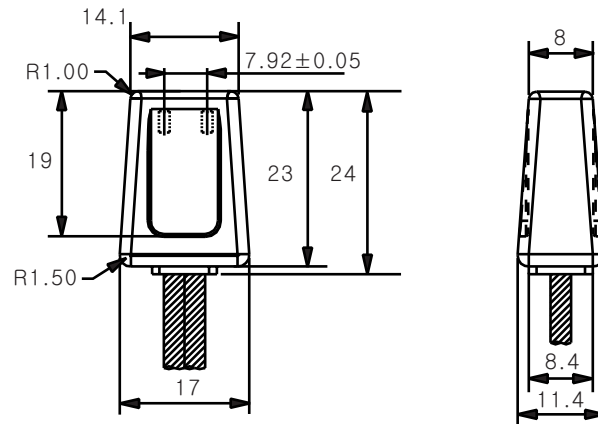


1 2 3 4 5 6 7 8 9 10


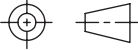
A
B
C
D
E
F
G
H
I
J



Part Number	Cord Length	
	mm	inch
FPC-S12W	305	12
FPC-S24W	610	24
FPC-S36W	915	36
FPC-S48W	1220	48
FPC-S60W	1525	60
FPC-S72W	1830	72
FPC-S84W	2130	84
FPC-S96W	2440	96
FPC-S108W	2745	108
FPC-S120W	3050	120

Specifications:

- * UL Listed-CSA approved.
- * Blunt cut end (terminated or stripped & tinned available).
- * 180° Style connector (S Type).

TITLE	PART DRAWING		REV	CHANGES	BY/DATE	APPD/DATE
PART NAME	FAN POWER CORD		COOLTRON INDUSTRIAL SUPPLY, INC. 			
PART NO.	FPC-SXXW					
MODEL NO.			LINEAR (0.50] ±0.10 ±0.05 (50,100] ±0.20 ±0.10 (100,+∞] ±0.30 ±0.15	ANGULAR X. ±0.5° X.X ±0.1°	PROJECTION: 	UNIT MM
APPD.		DATE				SCALE
CHECK		DATE		MATERIAL		QTY/U
DRAWING	TONY	DATE	8/10/2007	FINISH		DWG NO.
						REV