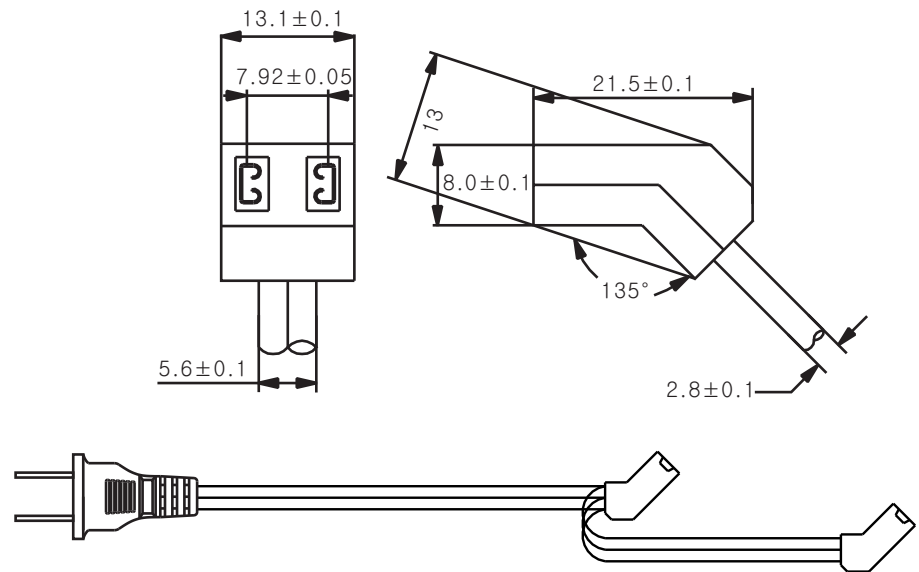


1 2 3 4 5 6 7 8 9 10

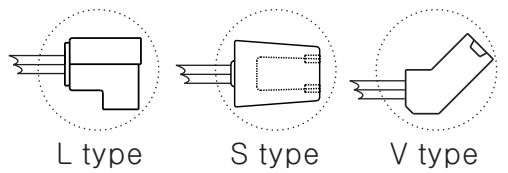
A
B
C
D
E
F
G
H
I
J



Part Number	Cord Length	
	mm	inch
FPC-V12P-7D2	305	12
FPC-V24P-7D2	610	24
FPC-V36P-7D2	915	36
FPC-V48P-7D2	1220	48
FPC-V60P-7D2	1525	60
FPC-V72P-7D2	1830	72
FPC-V84P-7D2	2130	84
FPC-V96P-7D2	2440	96
FPC-V108P-7D2	2745	108
FPC-V120P-7D2	3050	120

Specifications:

- * UL Listed-CSA approved.
- * Cordage:
SPT-1(2) conductor black 105C volt.
- * 45° Style connector (V Type).
- * Additional connectors: 2 to 12.
- * Available types of connector:



L type S type V type

TITLE	PART DRAWING	REV	CHANGES	BY/DATE	APPD/DATE																										
PART NAME		COOLTRON INDUSTRIAL SUPPLY, INC.																													
PART NO.																															
MODEL NO.		<table border="1"> <tr> <td>LINEAR</td> <td>.X</td> <td>.XX</td> <td>ANGULAR</td> <td>PROJECTION:</td> <td>UNIT</td> <td>MM</td> </tr> <tr> <td>(0.50]</td> <td>±0.10</td> <td>±0.05</td> <td>X. ±0.5°</td> <td rowspan="3"> </td> <td>SCALE</td> <td></td> </tr> <tr> <td>(50,100]</td> <td>±0.20</td> <td>±0.10</td> <td>X.X ±0.1°</td> <td></td> <td></td> </tr> <tr> <td>(100,+∞]</td> <td>±0.30</td> <td>±0.15</td> <td></td> <td></td> <td></td> </tr> </table>				LINEAR	.X	.XX	ANGULAR	PROJECTION:	UNIT	MM	(0.50]	±0.10	±0.05	X. ±0.5°		SCALE		(50,100]	±0.20	±0.10	X.X ±0.1°			(100,+∞]	±0.30	±0.15			
LINEAR	.X	.XX	ANGULAR	PROJECTION:	UNIT	MM																									
(0.50]	±0.10	±0.05	X. ±0.5°		SCALE																										
(50,100]	±0.20	±0.10	X.X ±0.1°																												
(100,+∞]	±0.30	±0.15																													
APPD.	DATE	MATERIAL	QTY/U																												
CHECK	DATE	DWG NO.	REV																												
DRAWING	TONY	DATE 8/10/2007	FINISH																												